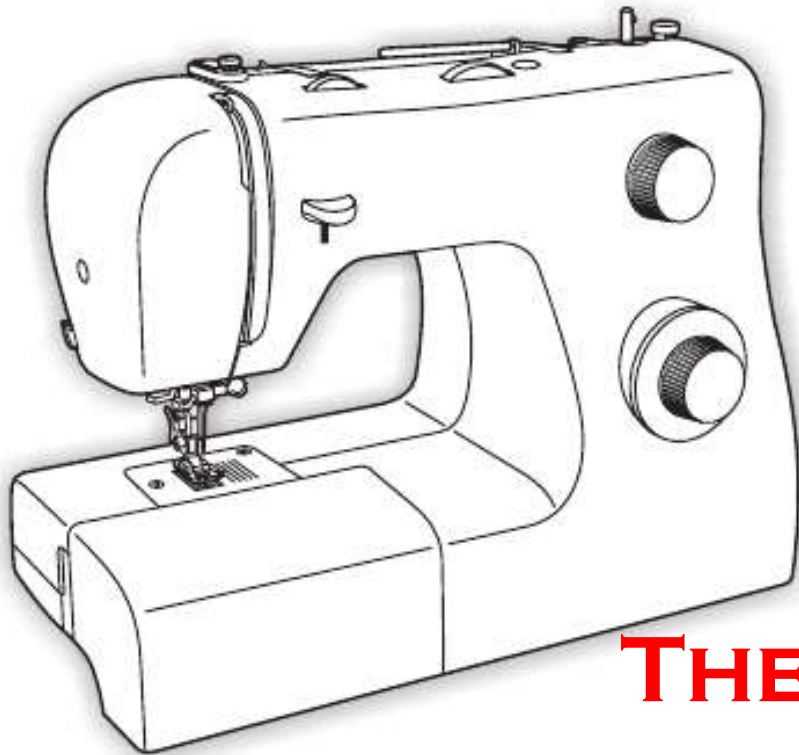


THE BOOK OF JAMES
Life Instruction Manual

2263 ***Manual de Instrucciones***

Manuel d'Instruction



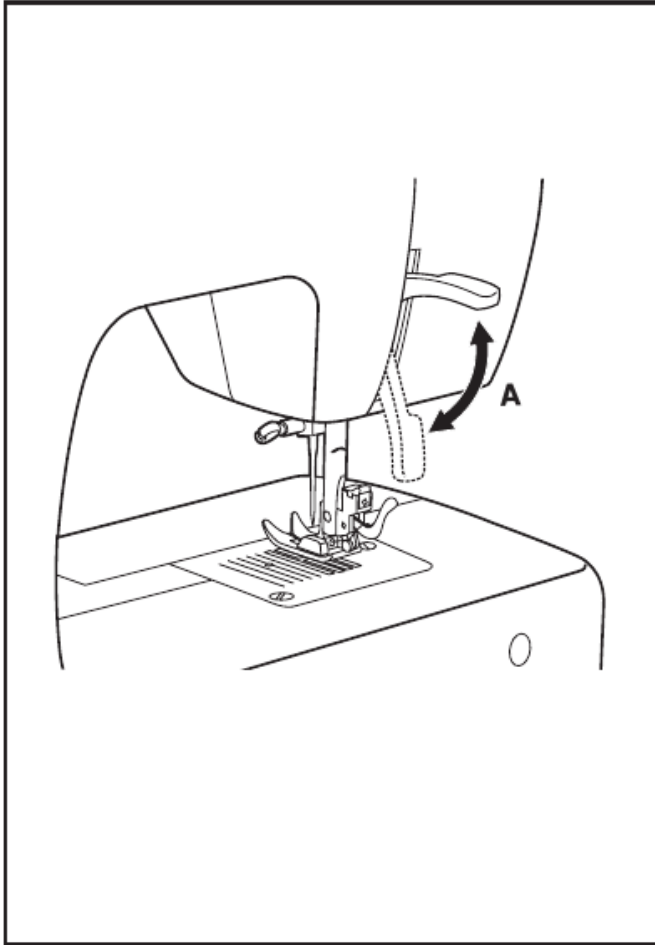
THE WISDOM EFFECT

James 3:13-18

2263 *Manual de Instrucciones*

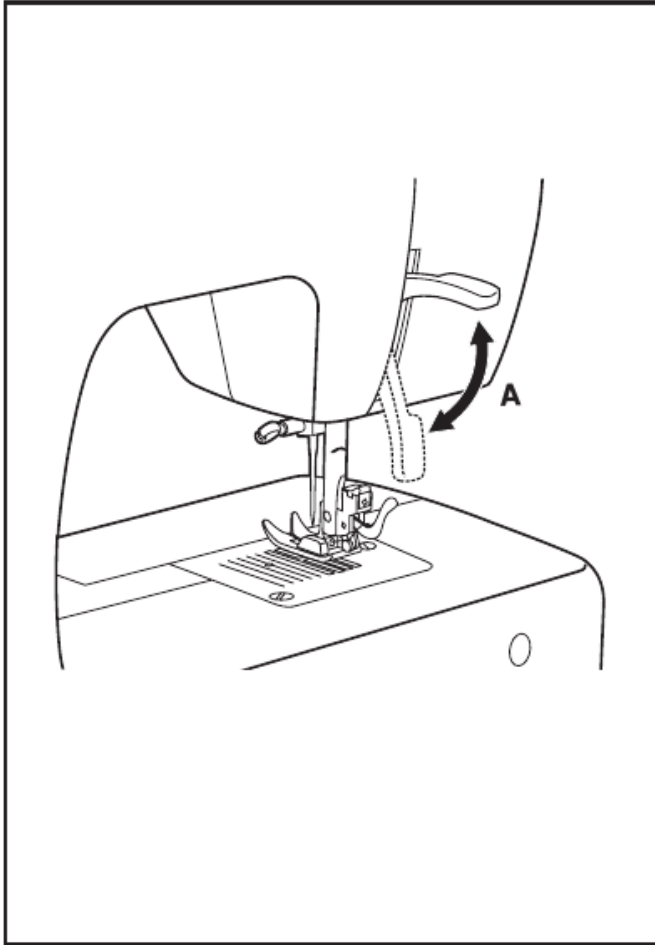
Manuel d'Instruction

James 3:13-18

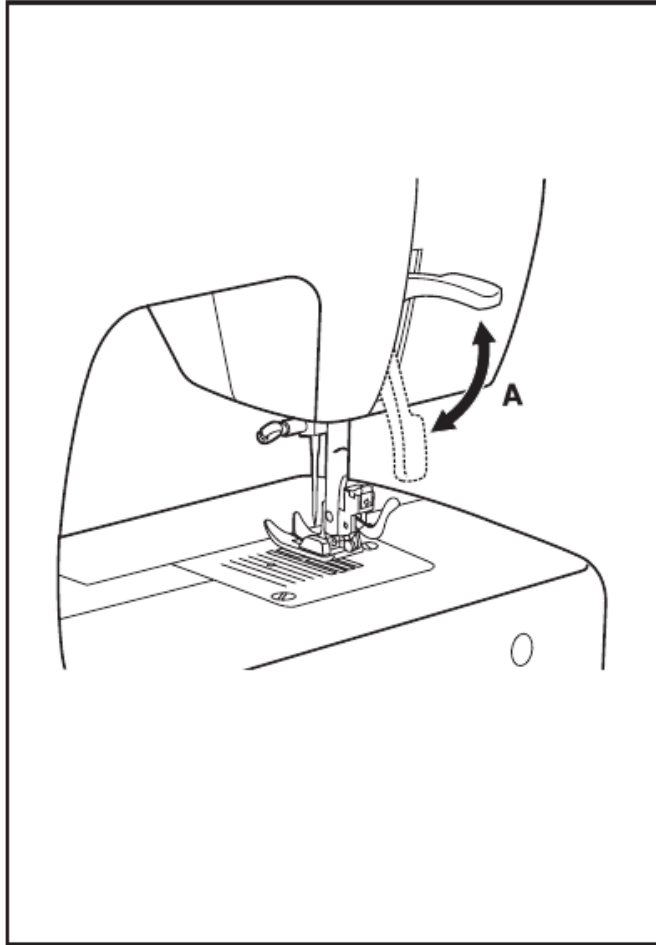


If you are wise and understand God's ways, prove it by living an honorable life, doing good works with the humility that comes from wisdom. ¹⁴ But if you are bitterly jealous and there is selfish ambition in your heart, don't cover up the truth with boasting and lying. ¹⁵ For jealousy and selfishness are not God's kind of wisdom. Such things are earthly, unspiritual, and demonic. ¹⁶ For wherever

James 3:13-18

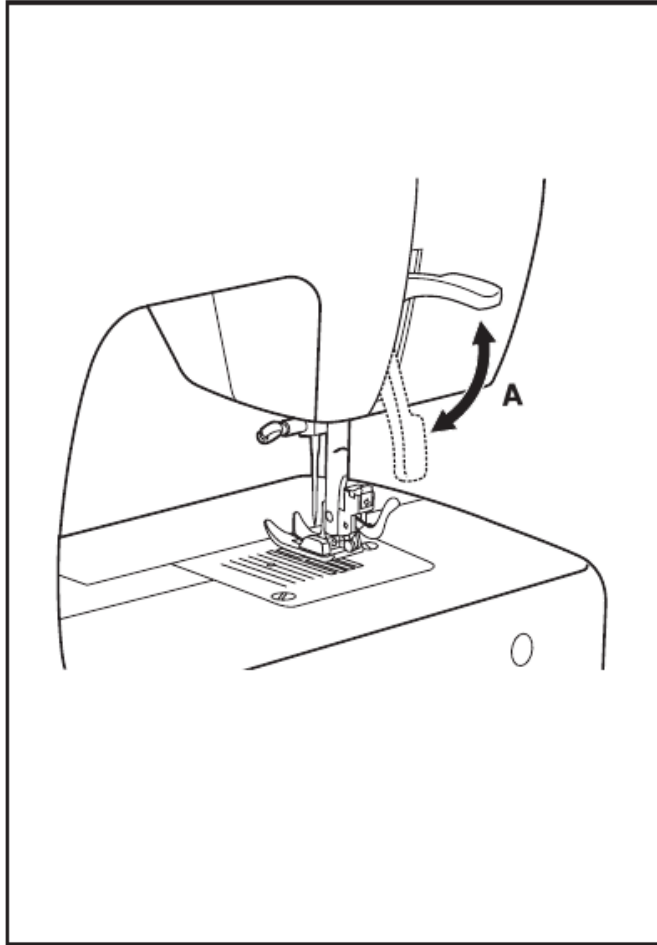


there is jealousy and selfish ambition, there you will find disorder and evil of every kind. ¹⁷ But the wisdom from above is first of all pure. It is also peace loving, gentle at all times, and willing to yield to others. It is full of mercy and the fruit of good deeds. It shows no favoritism and is always sincere. ¹⁸ And those who are peacemakers will plant seeds of peace and reap a harvest of righteousness.

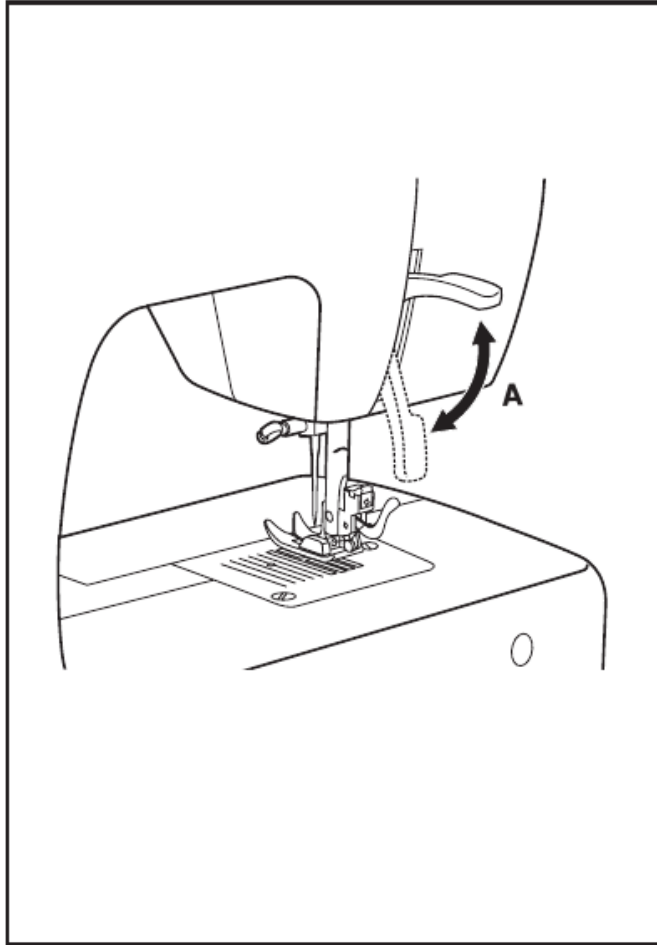


***“Science is organized
knowledge. Wisdom is organized
life.”***

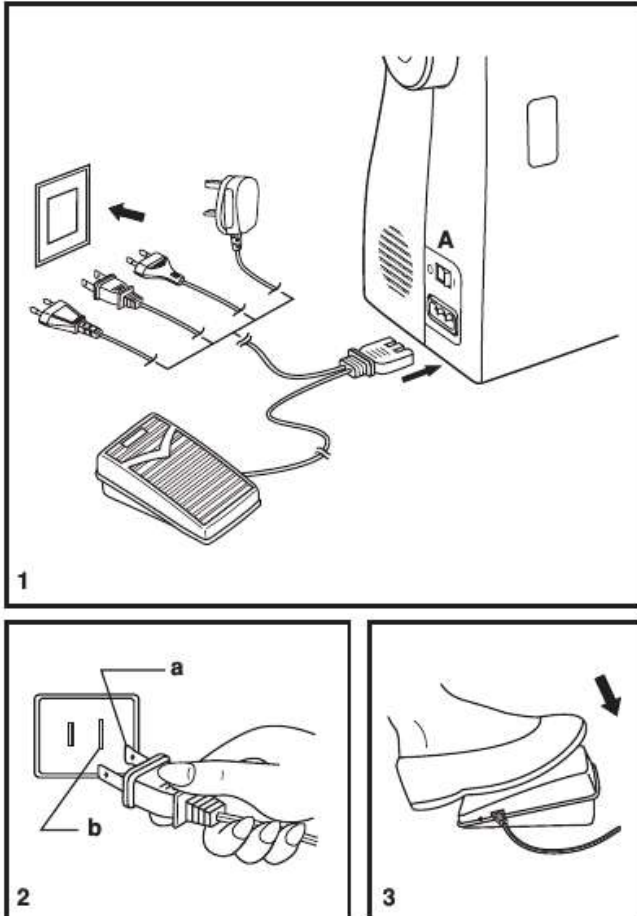
Immanuel Kant



***“It’s so simple to be wise. Just think of something stupid to say and say the opposite.”
Sam Levenson***

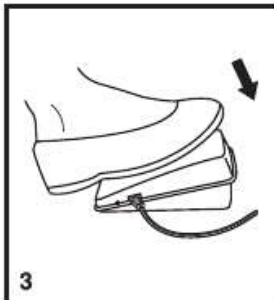
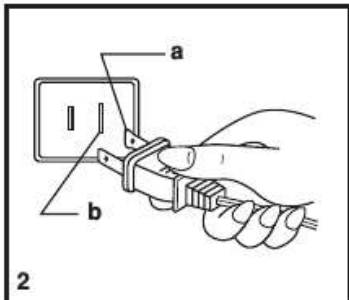
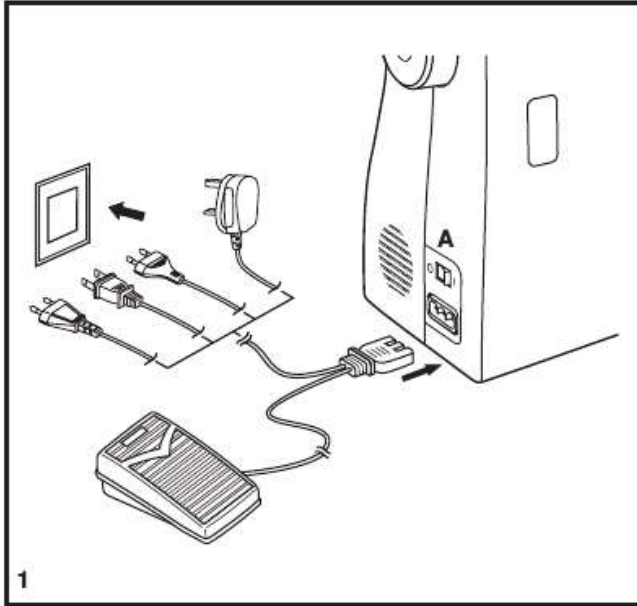


***“The function of wisdom is to discriminate between good and evil.”
Cicero***

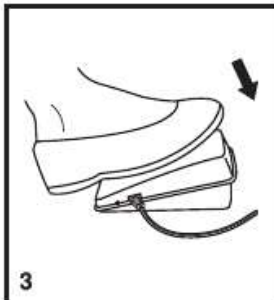
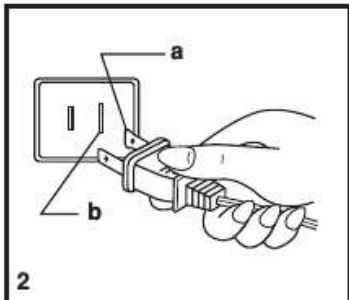
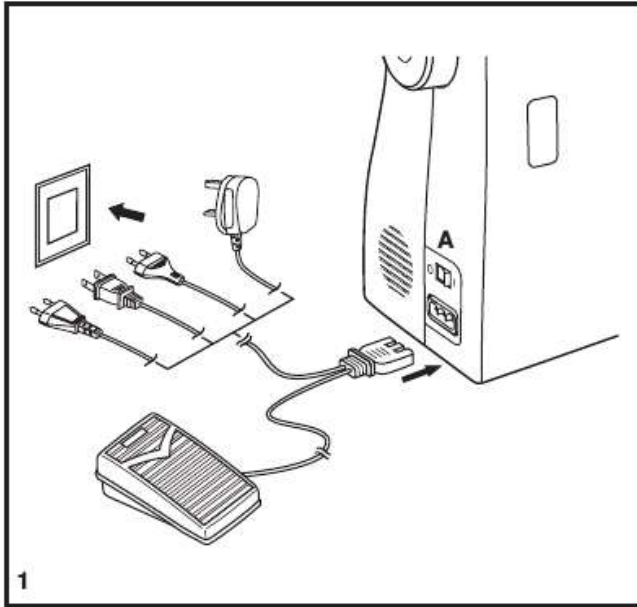


James 3:13

If you are wise and understand God's ways, prove it by living an honorable life, doing good works with the humility that comes from wisdom.

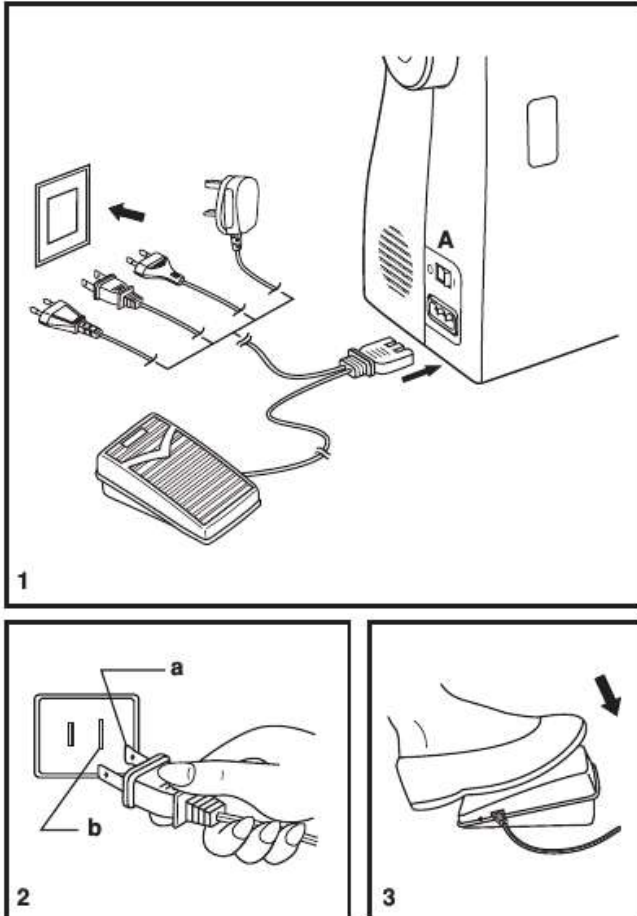


***ATTENTION:
Actions are the reflection
of the heart.***



Matthew 5:5

God blesses those who are humble, for they will inherit the whole earth.



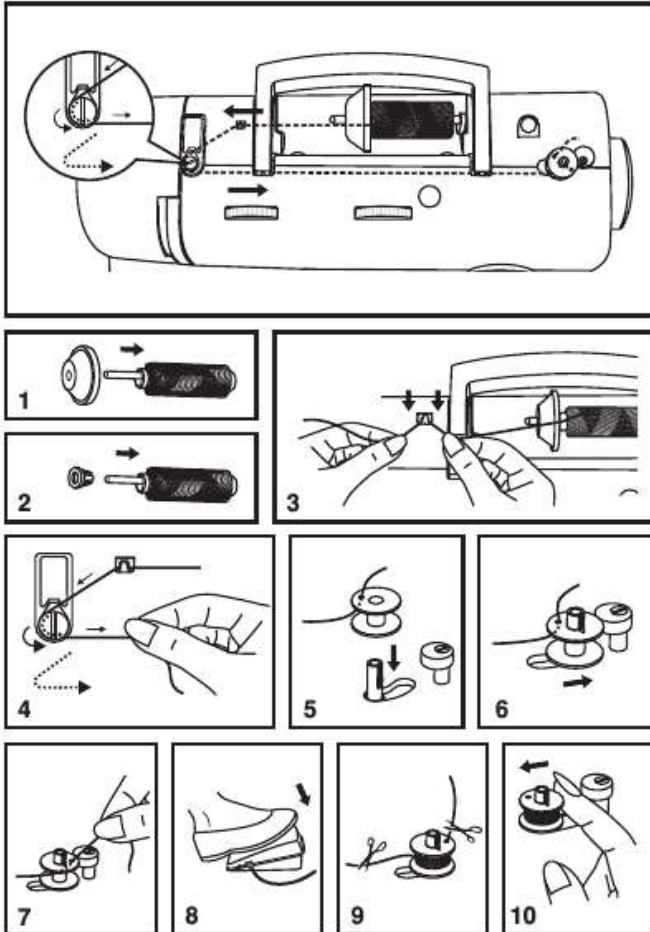
Matthew 11:29-30

Take my yoke upon you. Let me teach you, because I am humble and gentle at heart, and you will find rest for your souls. 30 For my yoke is easy to bear, and the burden I give you is light.”

A willingness to hear the Word of God

2 Timothy 4:3

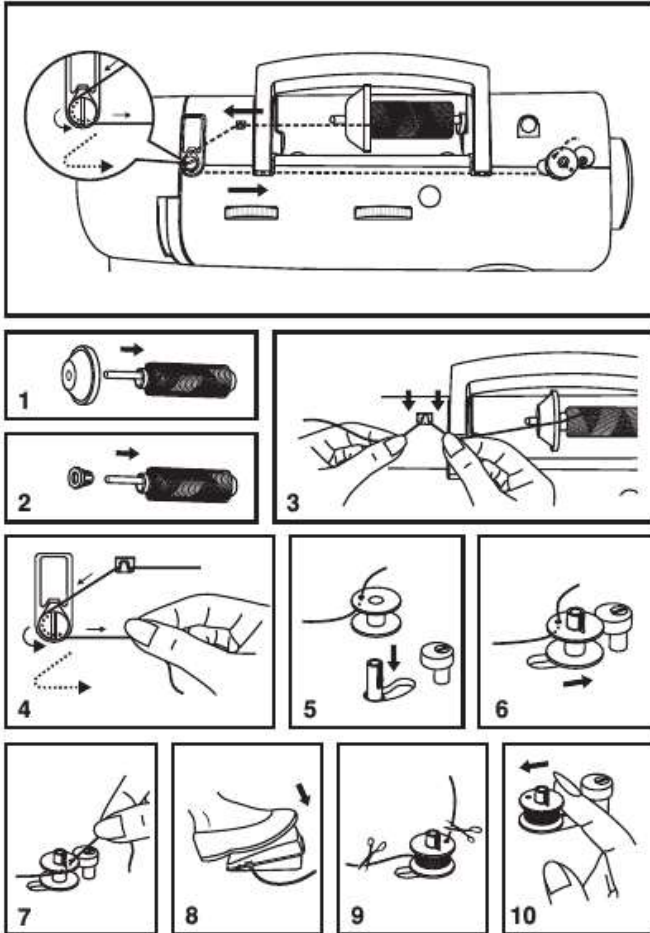
For a time is coming when people will no longer listen to sound and wholesome teaching. They will follow their own desires and will look for teachers who will tell them whatever their itching ears want to hear

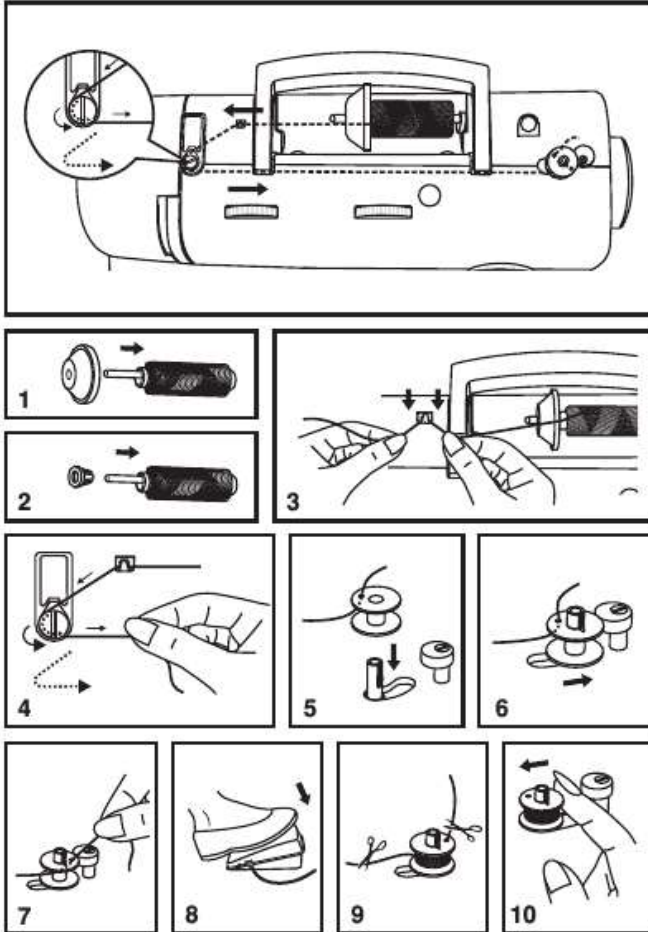


A willingness to do the Word of God

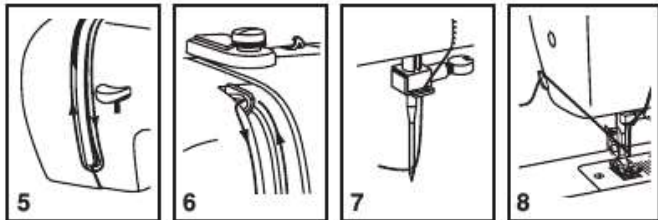
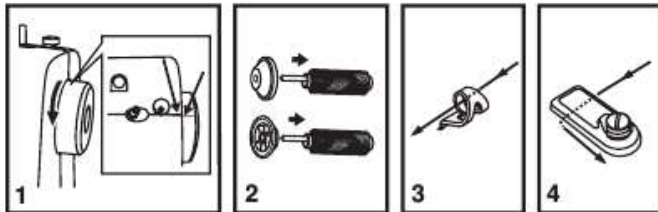
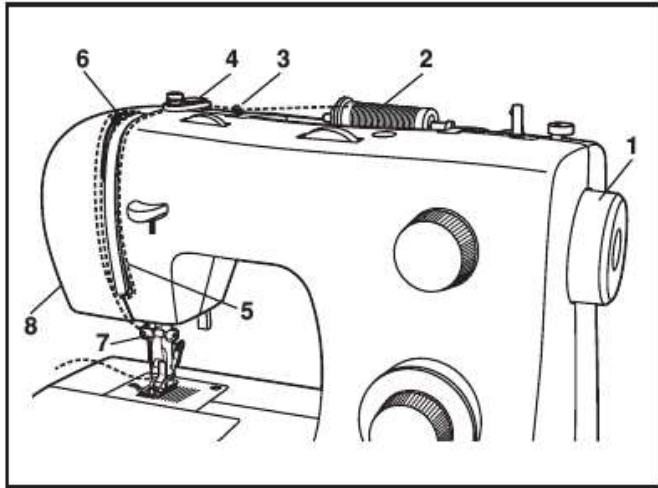
Romans 2:13

Merely hearing God's law is a waste of your time if you don't do what he commands. Doing, not hearing, is what makes the difference with God.



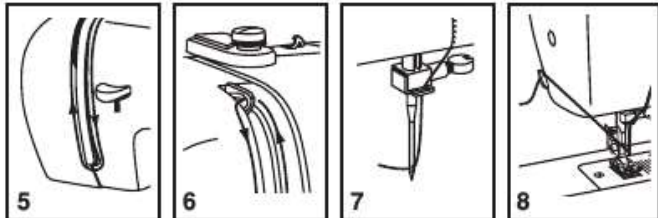
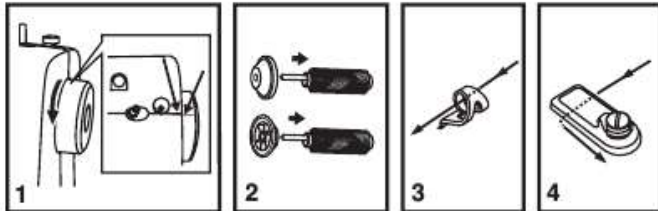
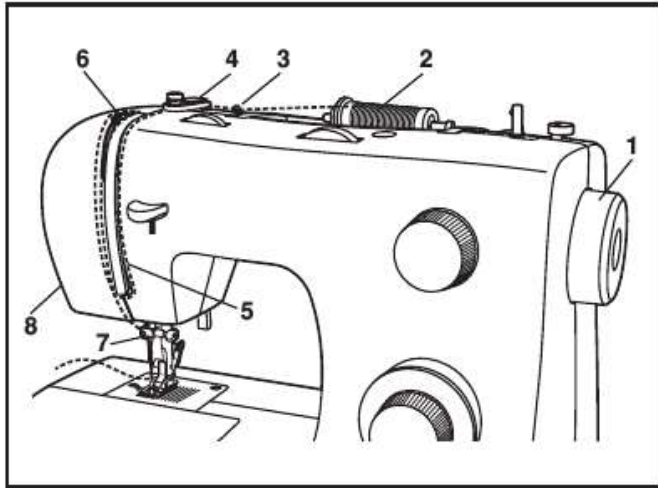


ATTENTION:
***Godly Wisdom= Knowing
what's right and doing
what's right, even when it's
hard.***

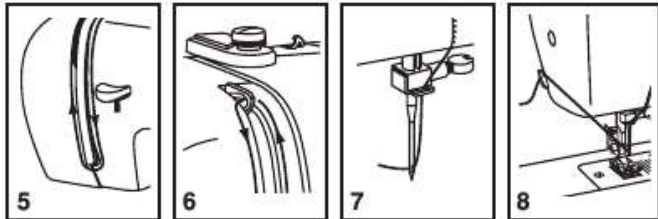
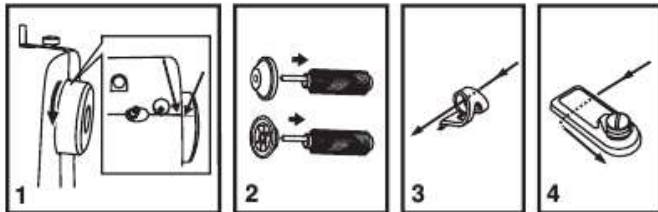
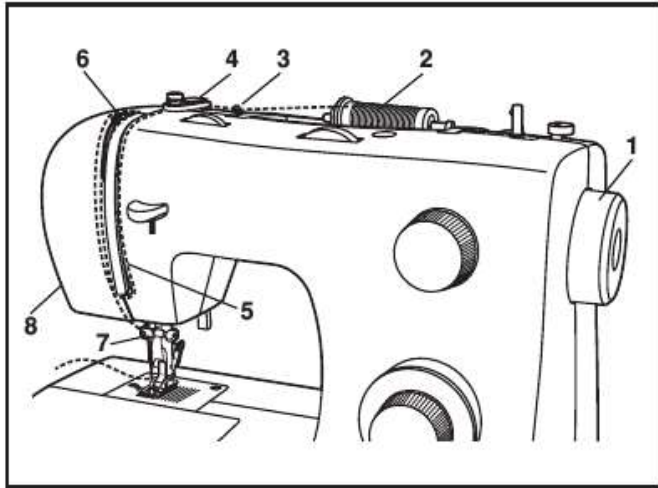


James 3:14-16

But if you are bitterly jealous and there is selfish ambition in your heart, don't cover up the truth with boasting and lying. ¹⁵ For jealousy and selfishness are not God's kind of wisdom. Such things are earthly, unspiritual, and demonic. ¹⁶ For wherever there is jealousy and selfish ambition, there you will find disorder and evil of every kind.

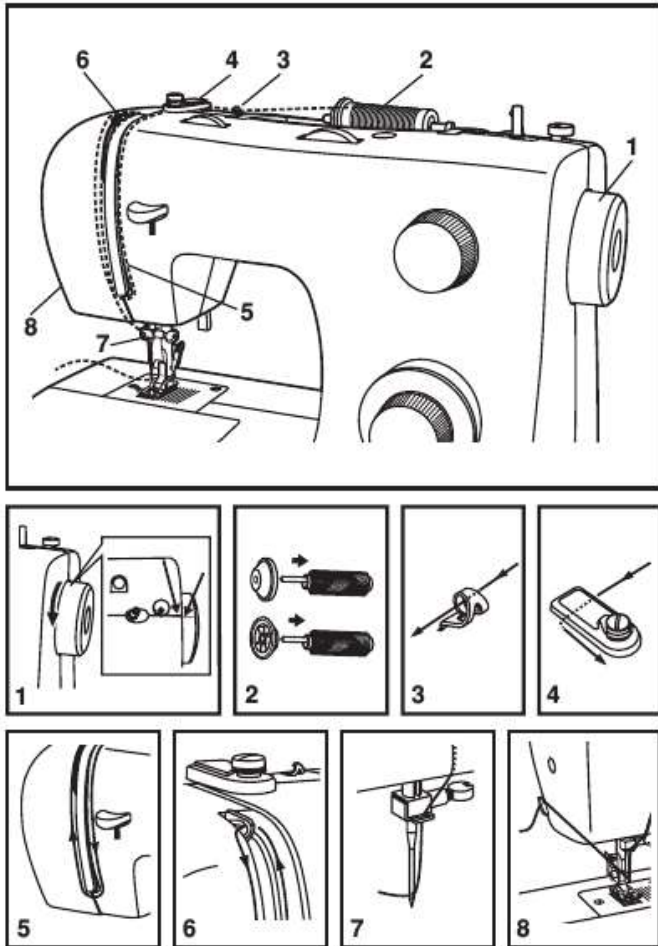


ATTENTION:
You can do all the right things, but if your motivation is self-driven instead of God-driven you will not be pleasing God.



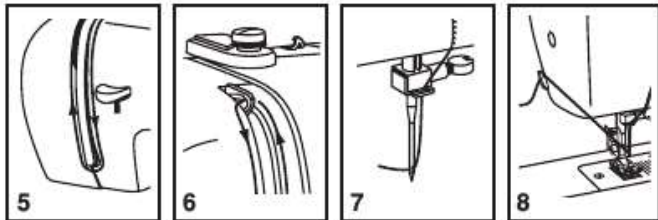
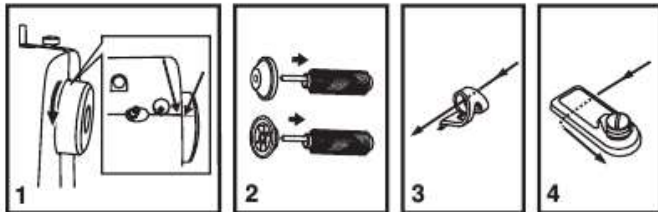
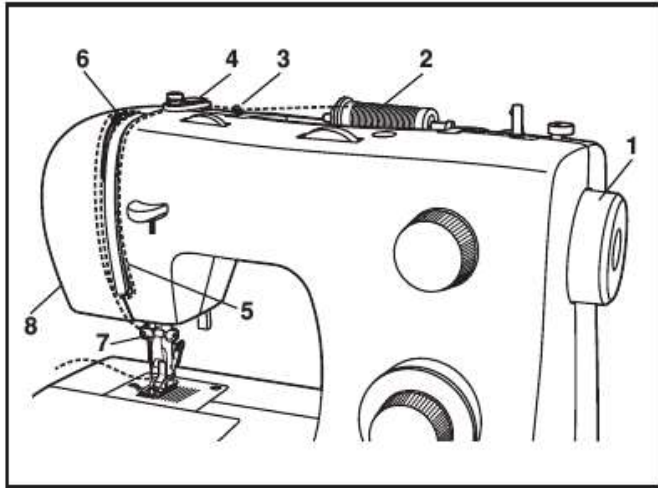
Proverbs 11:2

Pride leads to disgrace, but with humility comes wisdom.



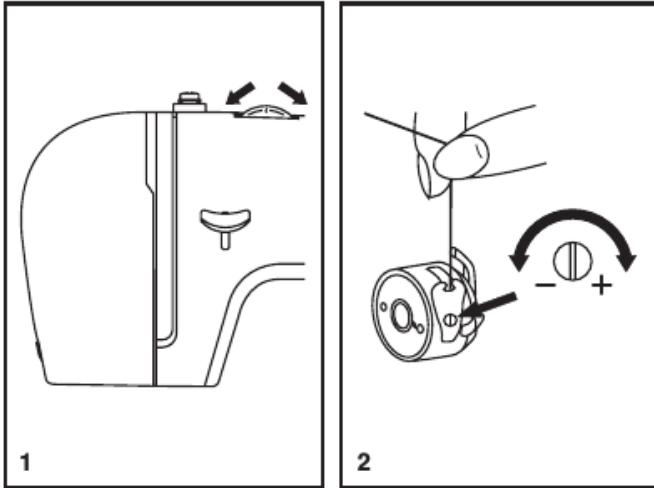
James 3:17-18

But the wisdom from above is first of all pure. It is also peace loving, gentle at all times, and willing to yield to others. It is full of mercy and the fruit of good deeds. It shows no favoritism and is always sincere. ¹⁸ And those who are peacemakers will plant seeds of peace and reap a harvest of righteousness.

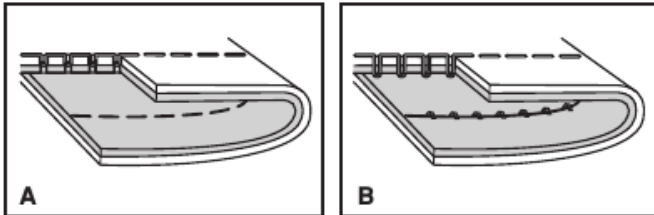


ATTENTION:
You can do all the right things, but if your motivation is self-driven instead of God-driven you will not be pleasing God.

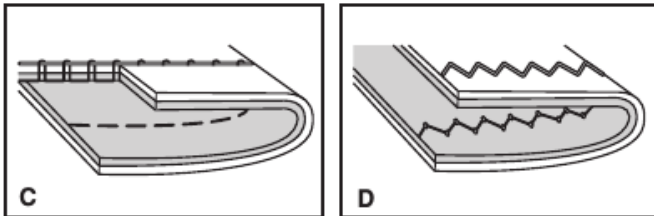
WHICH IS THE BETTER WAY TO LIVE?



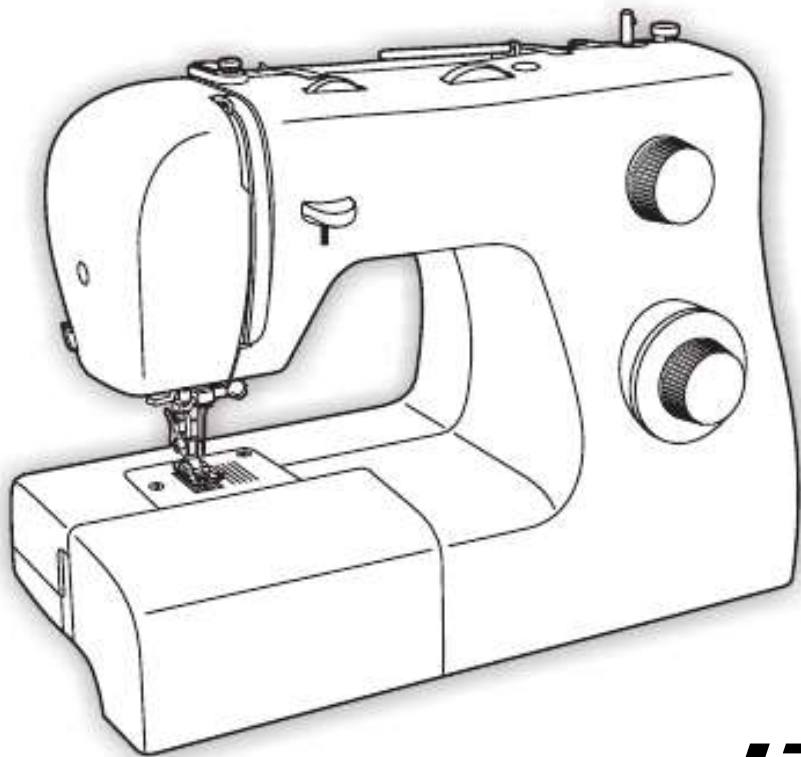
***Bitter envy
Selfish ambition
Disorder
Evil***



***Peace-loving
Considerate
Submissive***



***Full of mercy and good fruit,
Impartial
Sincere.***



Life Instruction Manual

2263 ***Manual de Instrucciones***

Manuel d'Instruction