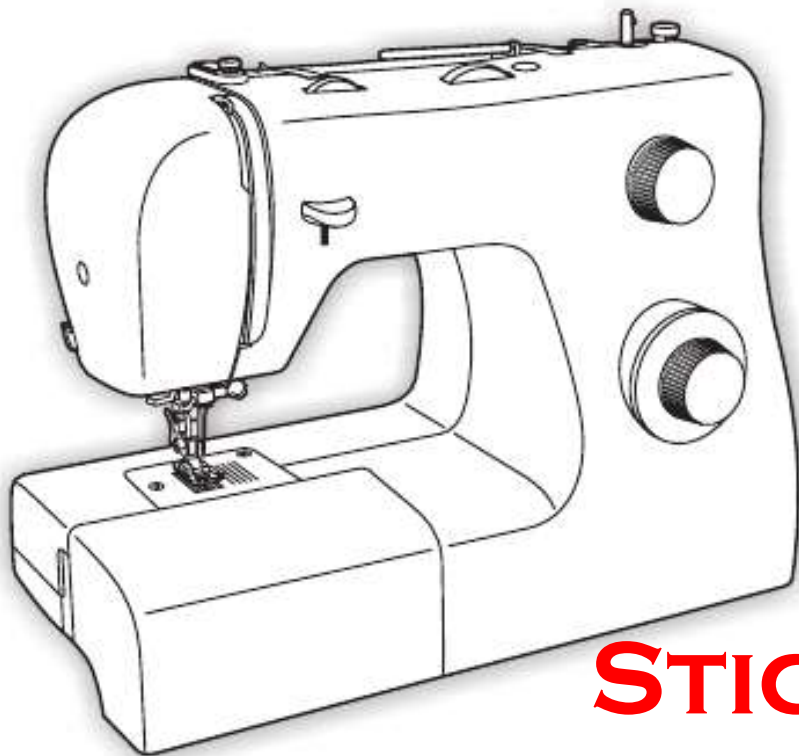




THE BOOK OF JAMES
Life Instruction Manual

2263 ***Manual de Instrucciones***

Manuel d'Instruction



STICKS AND STONES

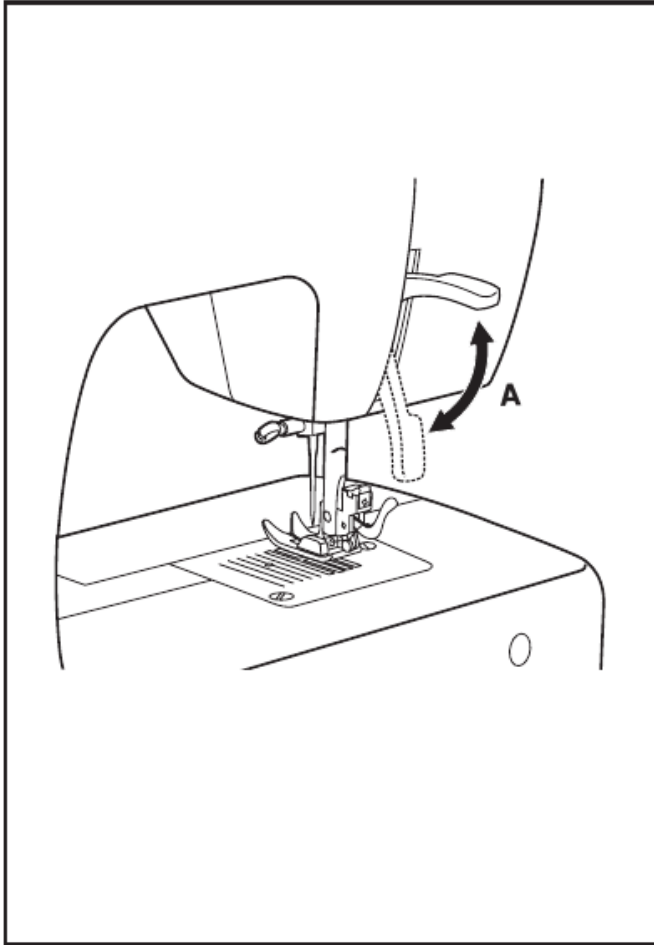
James 3:1-12

2263

Manual de Instrucciones

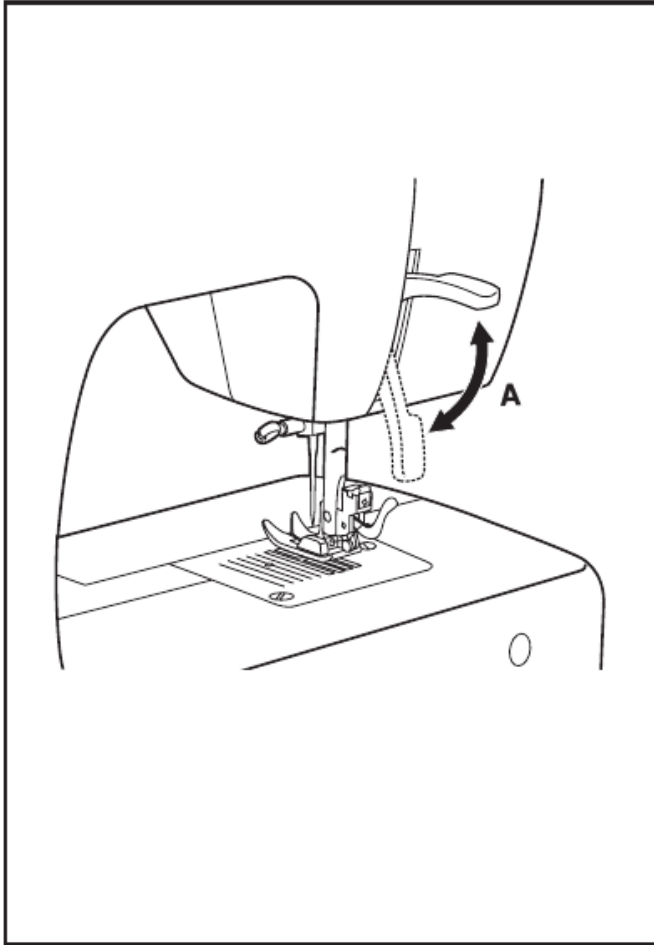
Manuel d'Instruction

James 3:1-12



Dear brothers and sisters, not many of you should become teachers in the church, for we who teach will be judged more strictly. ² Indeed, we all make many mistakes. For if we could control our tongues, we would be perfect and could also control ourselves in every other way. ³ We can make a large horse go wherever we want by means of a small bit in its mouth. ⁴ And a small rudder makes a huge ship turn wherever the pilot chooses to

James 3:1-12

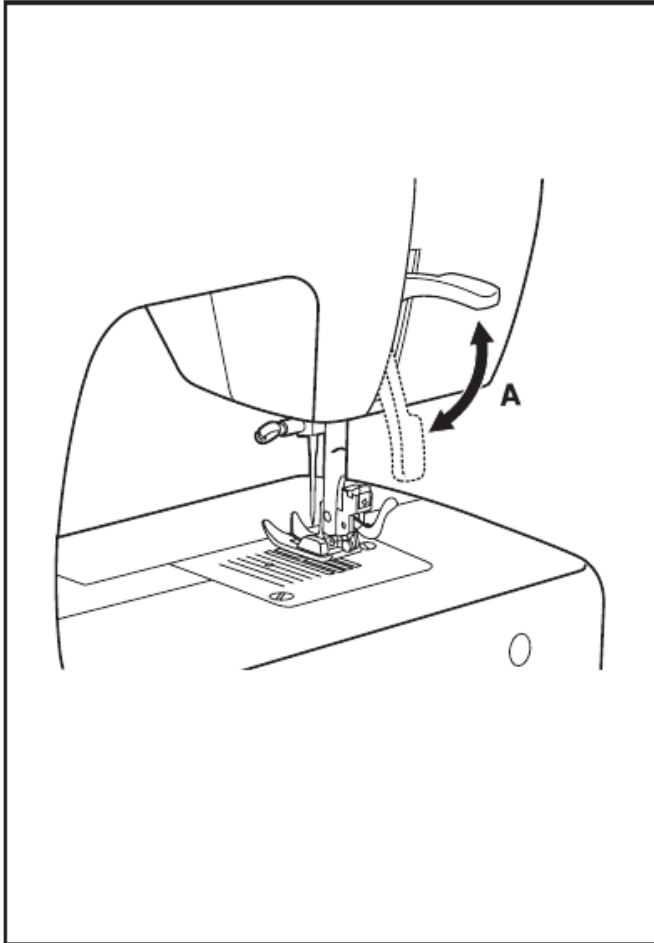


go, even though the winds are strong. ⁵ In the same way, the tongue is a small thing that makes grand speeches.

But a tiny spark can set a great forest on fire. ⁶ And among all the parts of the body, the tongue is a flame of fire. It is a whole world of wickedness, corrupting your entire body. It can set your whole life on fire, for it is set on fire by hell itself.

⁷ People can tame all kinds of animals, birds, reptiles, and fish,

James 3:1-12

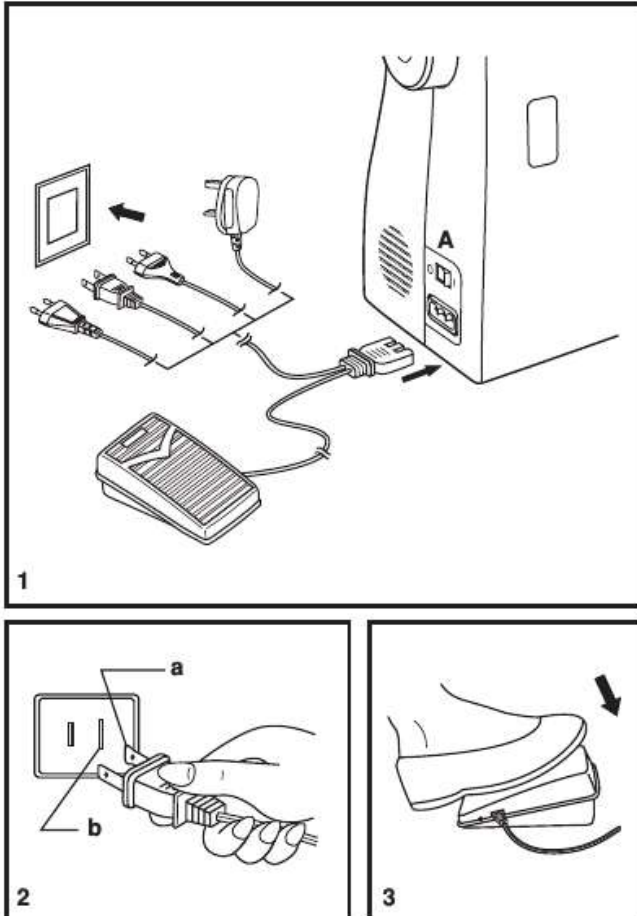


⁸ but no one can tame the tongue. It is restless and evil, full of deadly poison. ⁹ Sometimes it praises our Lord and Father, and sometimes it curses those who have been made in the image of God. ¹⁰ And so blessing and cursing come pouring out of the same mouth. Surely, my brothers and sisters, this is not right! ¹¹ Does a spring of water bubble out with both fresh water and bitter water? ¹² Does a fig tree produce olives, or a grapevine produce figs? No, and you can't draw fresh water from a salty spring.

Sarcasm

Proverbs 26:18-19

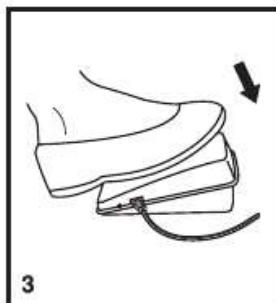
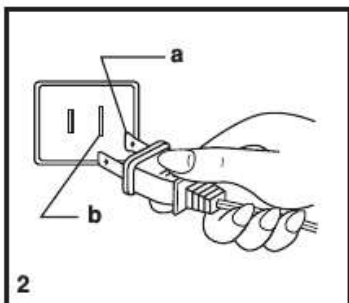
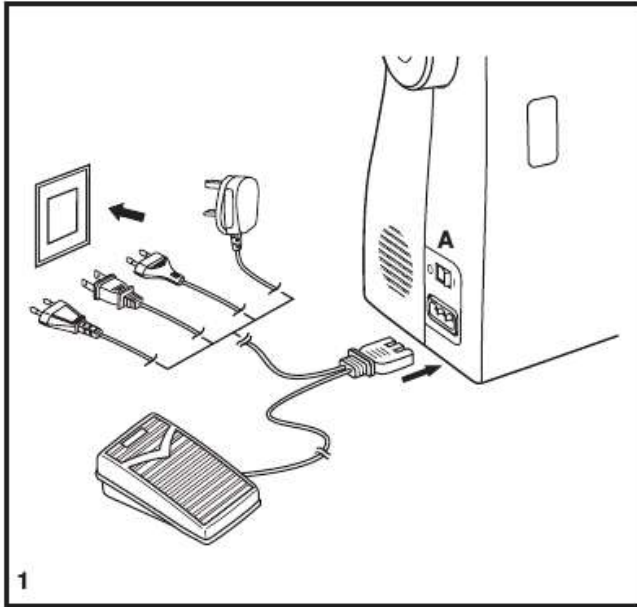
Just as damaging as a madman shooting a deadly weapon 19 is someone who lies to a friend and then says, “I was only joking.” Some of us have the tendency to joke around too much, or be a little too harsh in our joking around.



Careless Words

Proverbs 12:18

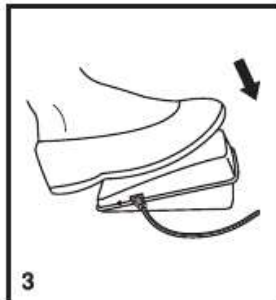
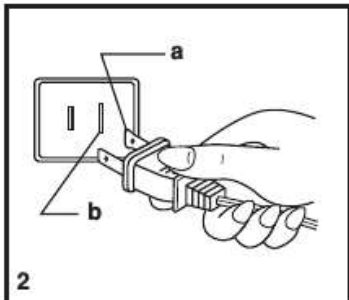
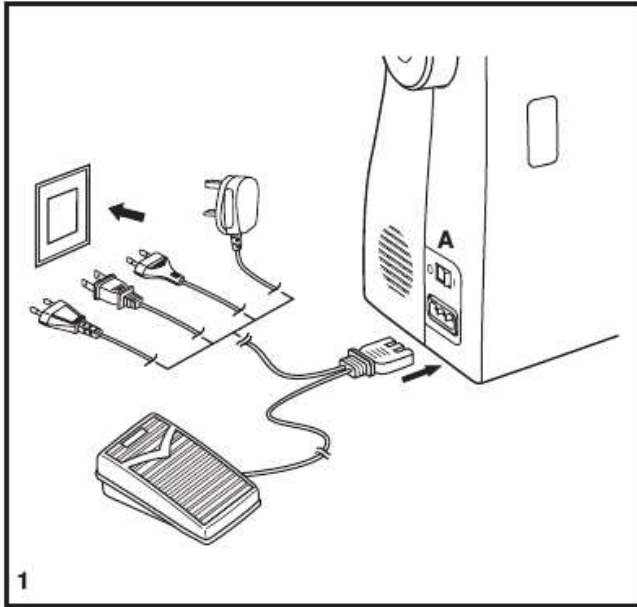
Some people make cutting remarks, but the words of the wise bring healing.

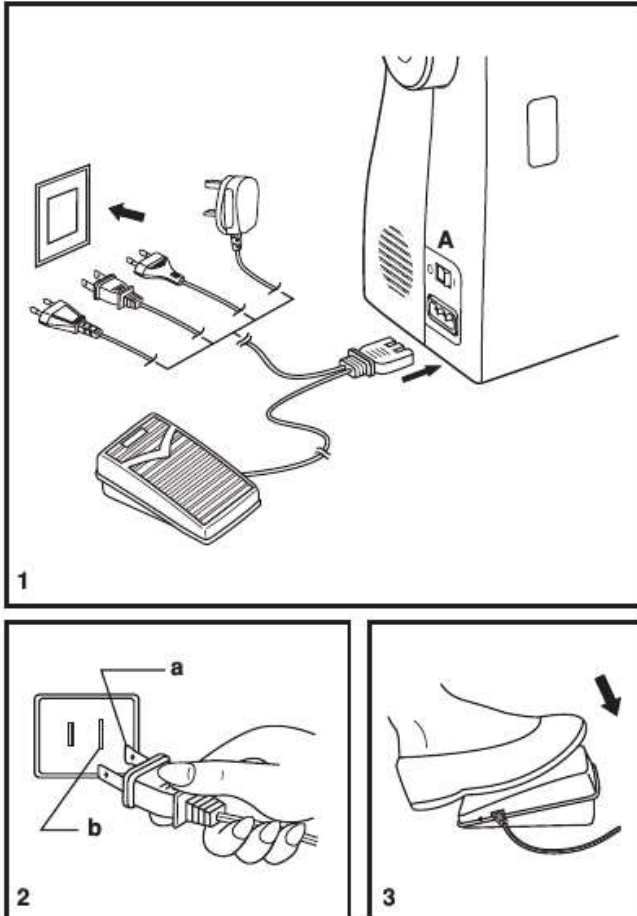


Complaining

Philippians 2:14

"Do everything without complaining or arguing."

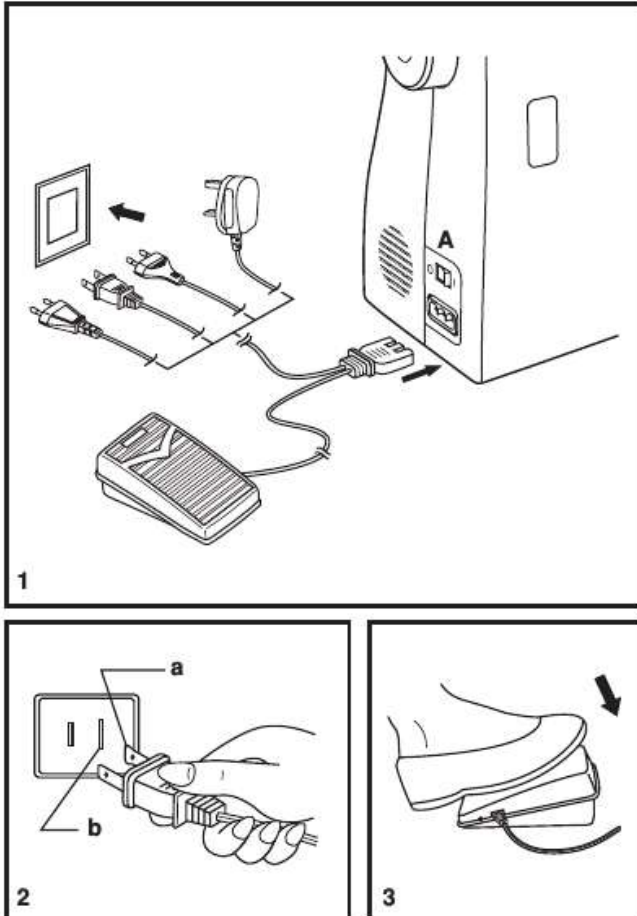




Gossip and Slander

Psalm 15:1-3

Who may worship in your sanctuary, Lord? Who may enter your presence on your holy hill? ² Those who lead blameless lives and do what is right, speaking the truth from sincere hearts. ³ Those who refuse to gossip or harm their neighbors or speak evil of their friends.

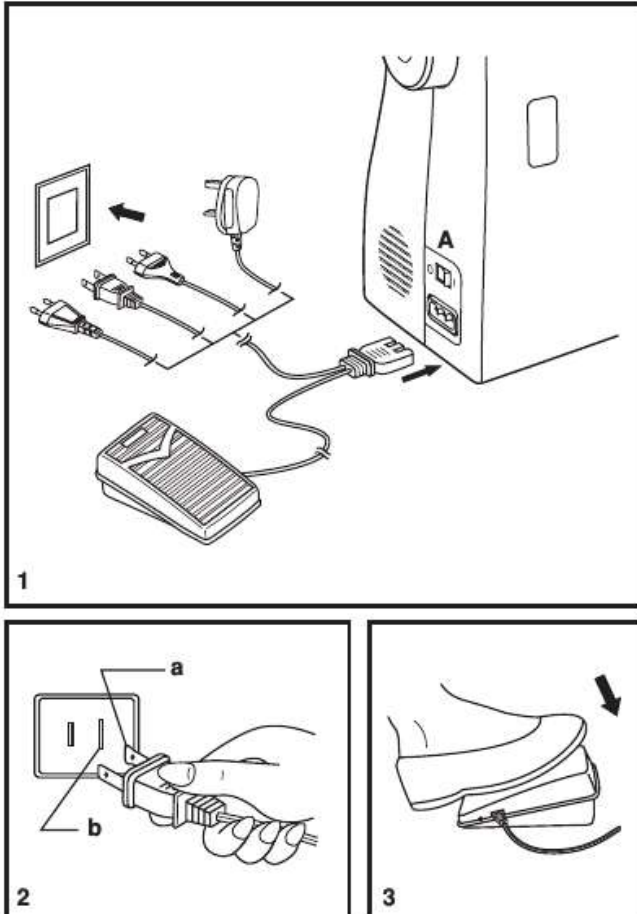


Lying

Proverbs 6:16-19

There are six things the Lord hates— no, seven things he detests: ¹⁷ haughty eyes, a lying tongue, hands that kill the innocent, ¹⁸ a heart that plots evil, feet that race to do wrong, ¹⁹ a false witness who pours out lies, a person who sows discord in a family.

Lying

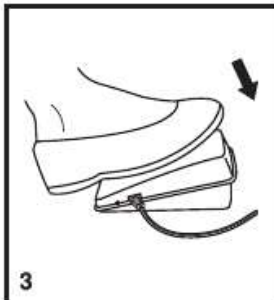
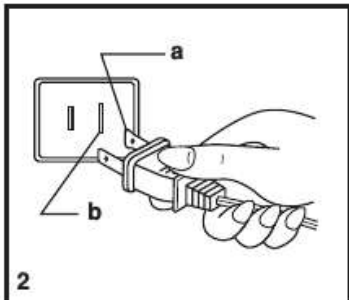
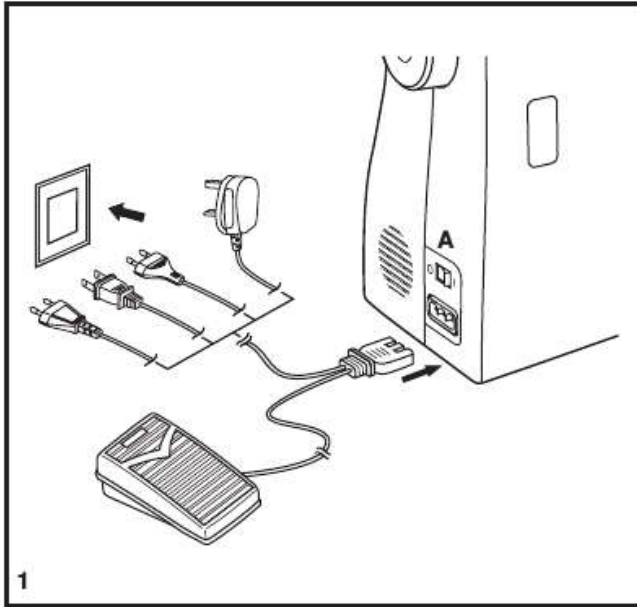


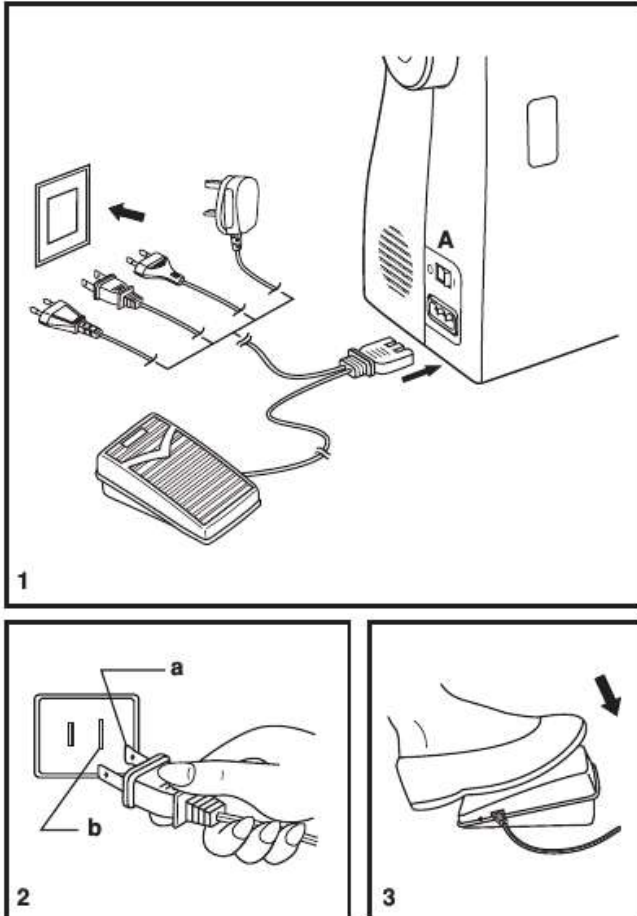
ATTENTION:
Lying is displeasing to God, it undermines our integrity, and it deeply hurts other people.

Our Tone of Voice

Proverbs 15:1

A gentle answer deflects anger,
but harsh words make tempers
flare.



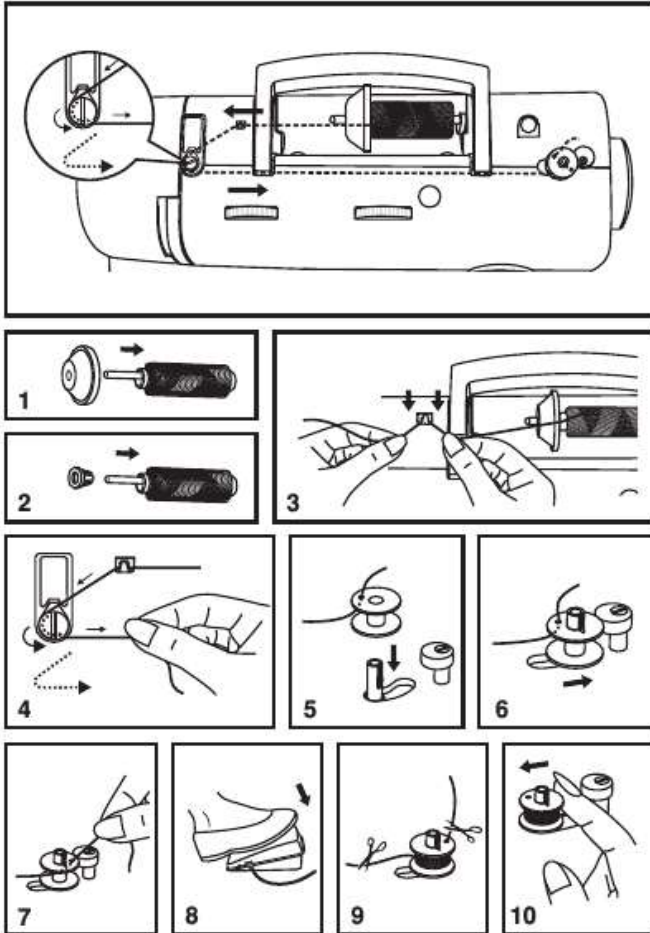


ATTENTION:
Whether it is gossip,
sarcasm, slander, criticism,
harsh jokes, careless
remarks,
complaints...words do hurt!

Damaged Relationships

Proverbs 16:28

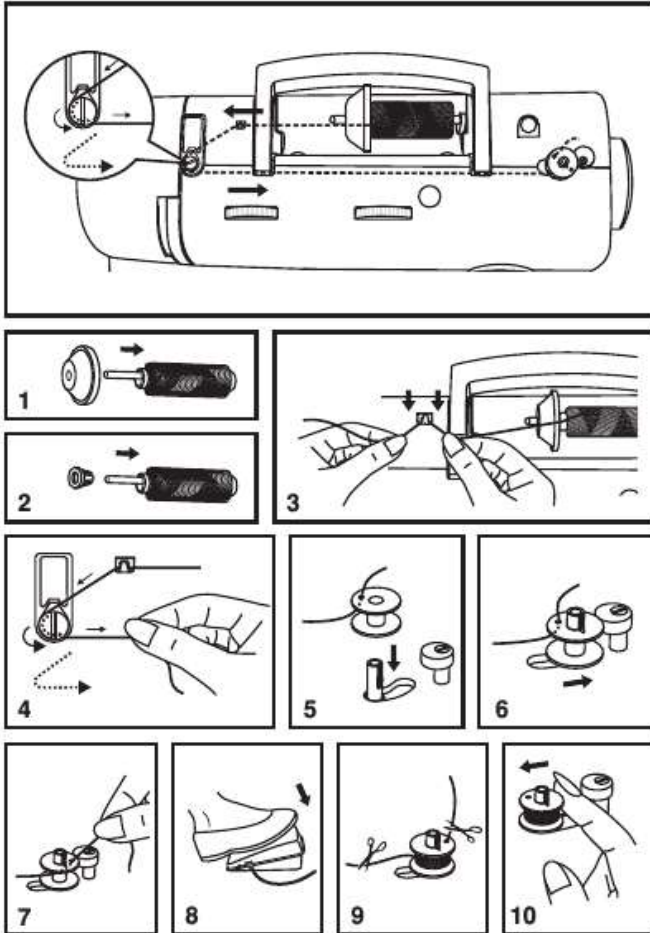
A troublemaker plants seeds of strife; gossip separates the best of friends.



Damaged Relationships

ATTENTION:

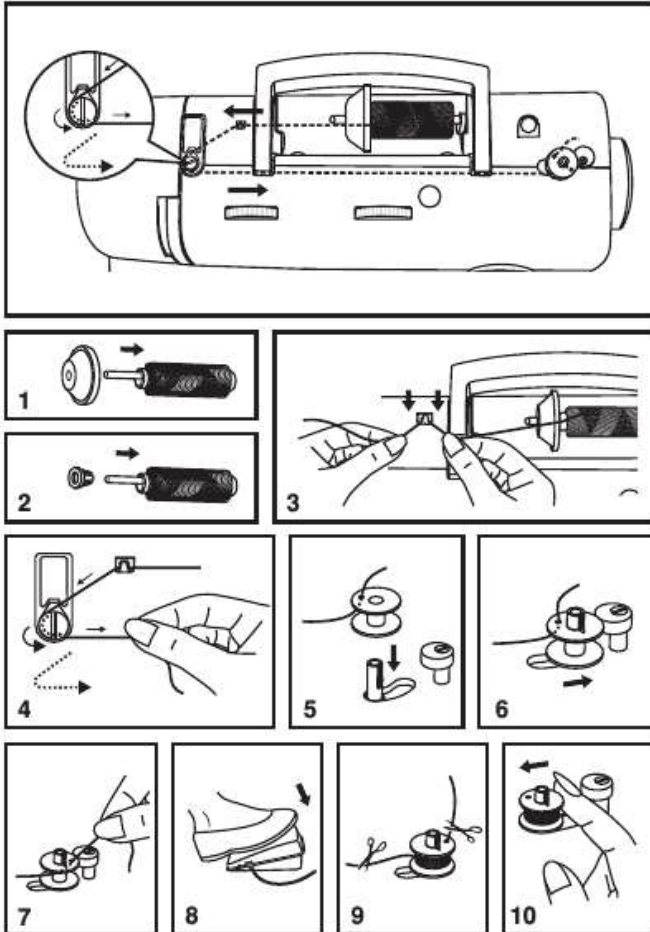
The result is that you become alienated, because people avoid the person who brings them pain.



The Harm You Bring On Yourself

Proverbs 13:3

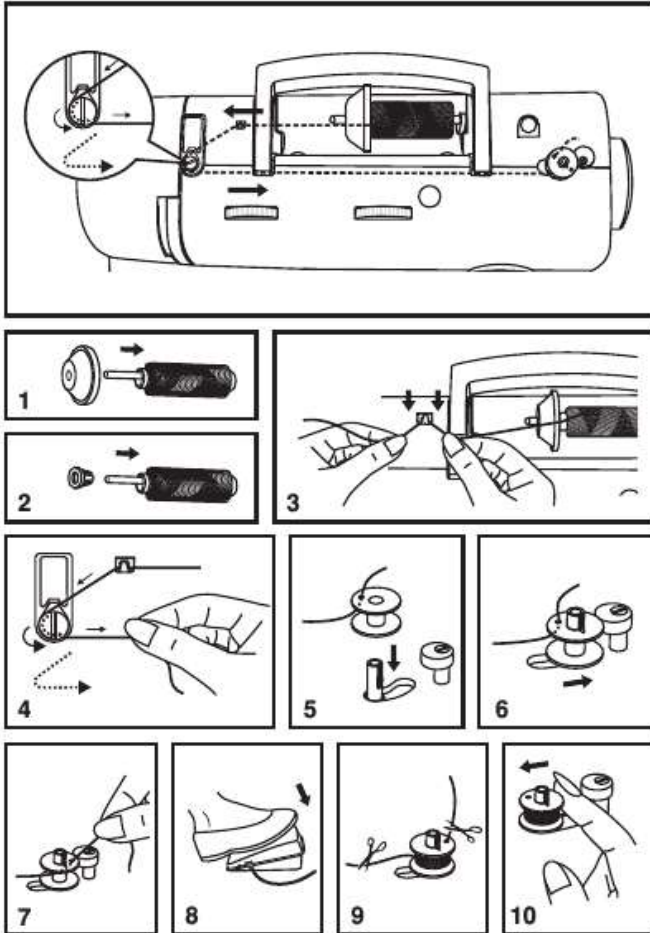
Those who control their tongue will have a long life; opening your mouth can ruin everything.



The Harm You Bring On Yourself

ATTENTION:

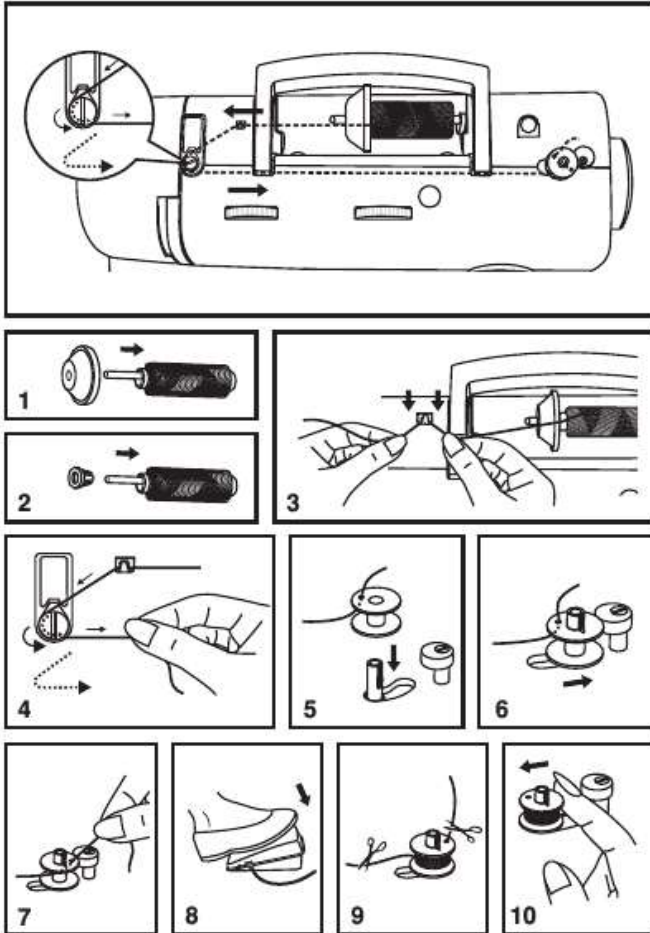
Criticism and negativism and sarcasm are like an acid that eats away everything it come into contact with, and most especially...yourself.



We Grieve and Dishonor God

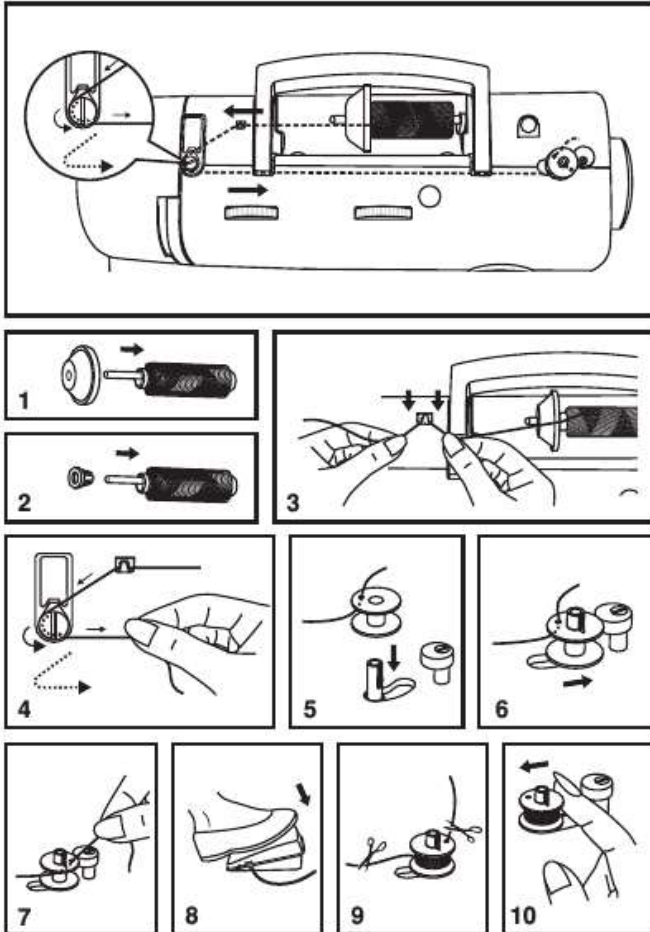
John 13:35

Your love for one another will prove to the world that you are my disciples.



We Grieve and Dishonor God

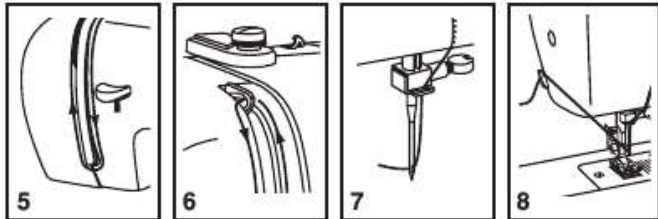
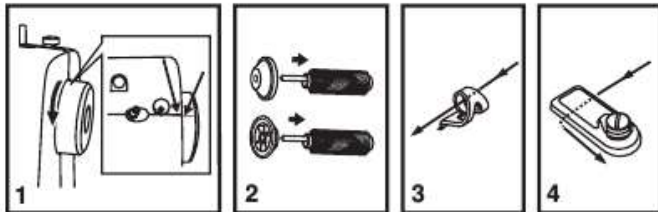
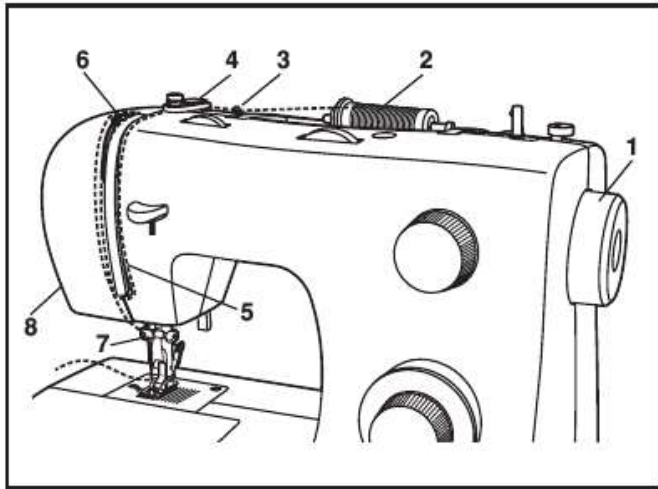
ATTENTION:
Genuine believers should be characterized by love, kindness, and sensitivity.

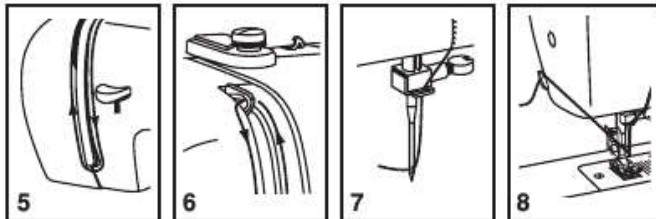
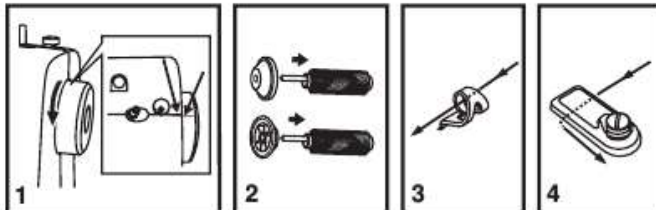
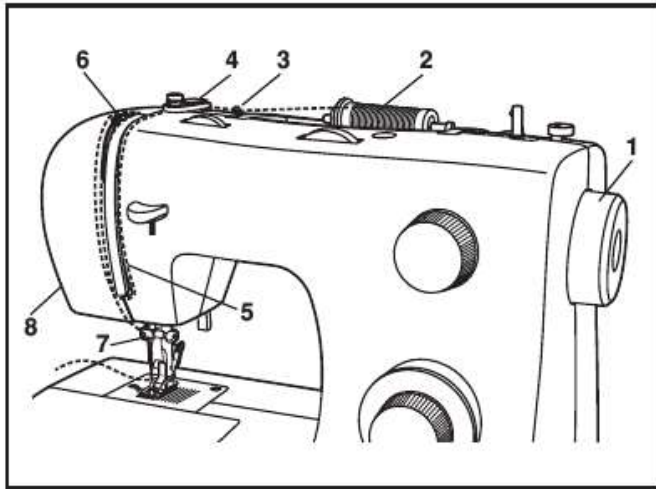


Speak Less

Proverbs 15:28

The heart of the godly thinks carefully before speaking; the mouth of the wicked overflows with evil words.





Speak Less

T Truth: Am I telling the truth?

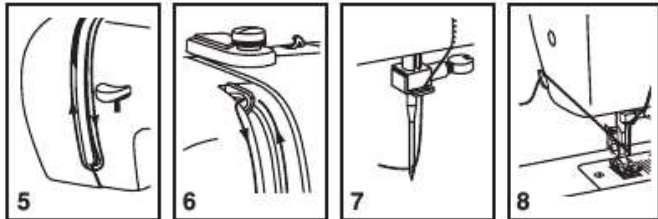
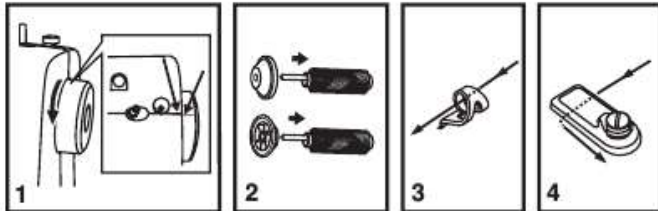
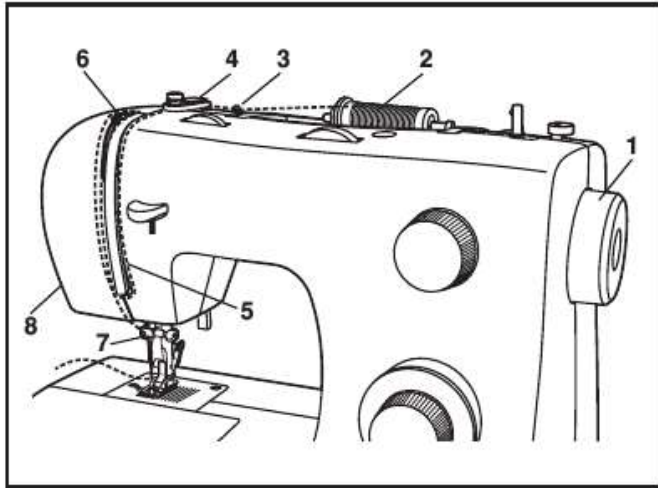
H Help: Will saying this be helpful or beneficial?

I Inspire: Will my words inspire and encourage?

N Necessary: Are my words necessary?

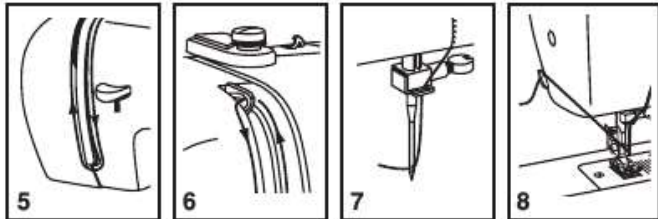
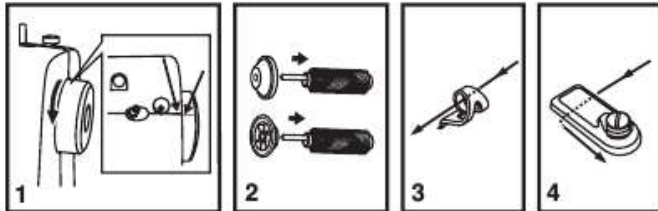
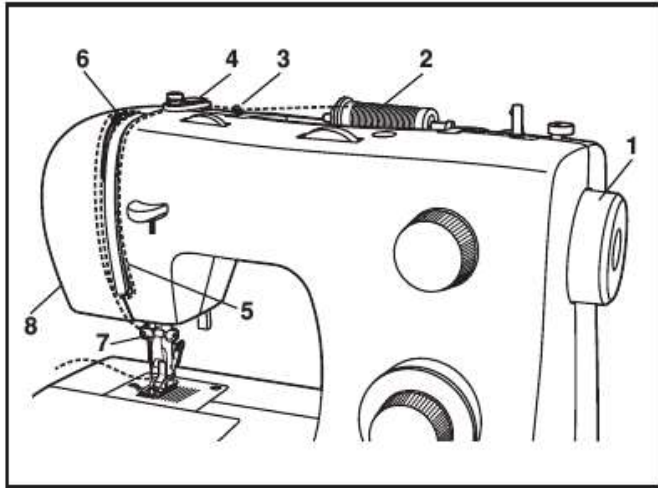
K Kind: are my words kind and caring?

Avoid Critical People

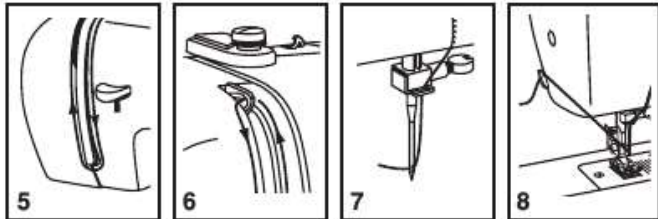
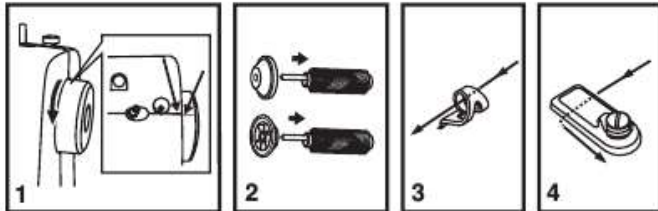
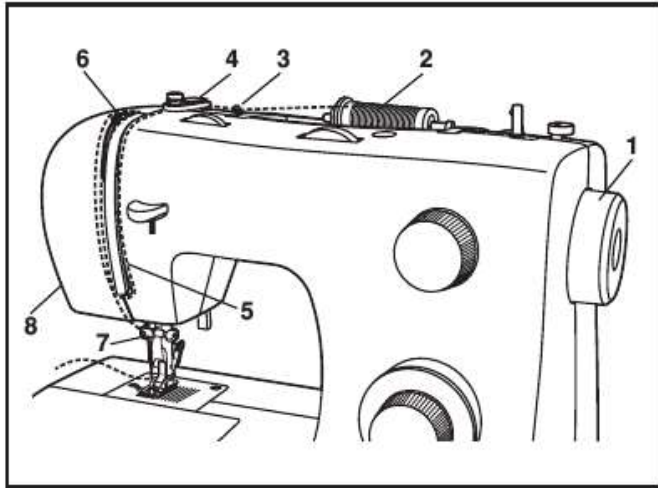


Ask Yourself "Would Jesus Say It?"

ATTENTION:
Don't say anything you'd be ashamed to say if Jesus Christ was present.



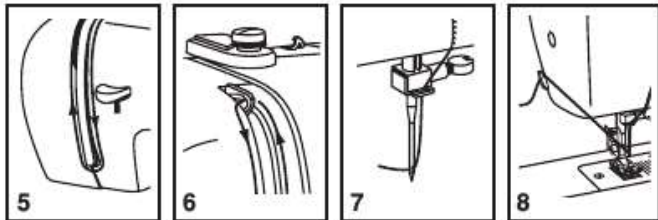
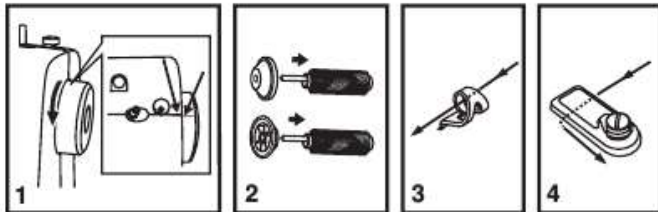
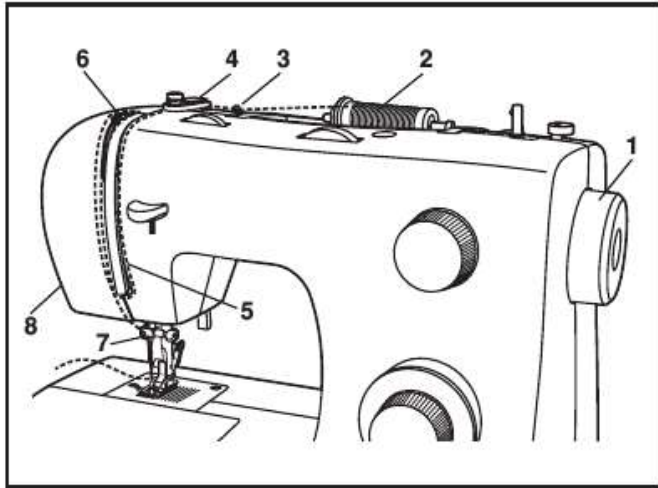
Be Held Accountable

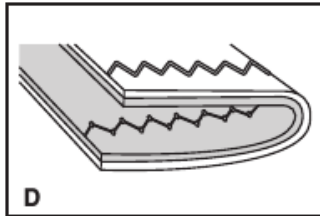
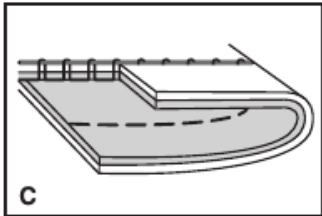
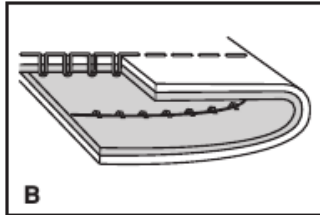
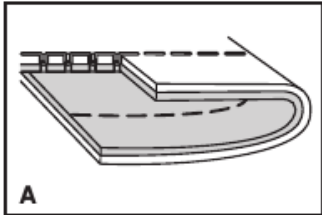
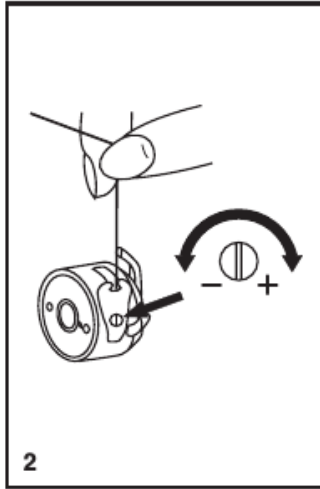
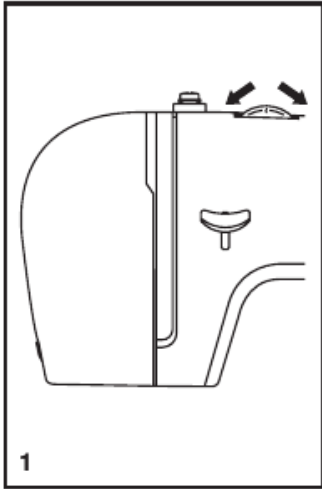


Ask For God's Help

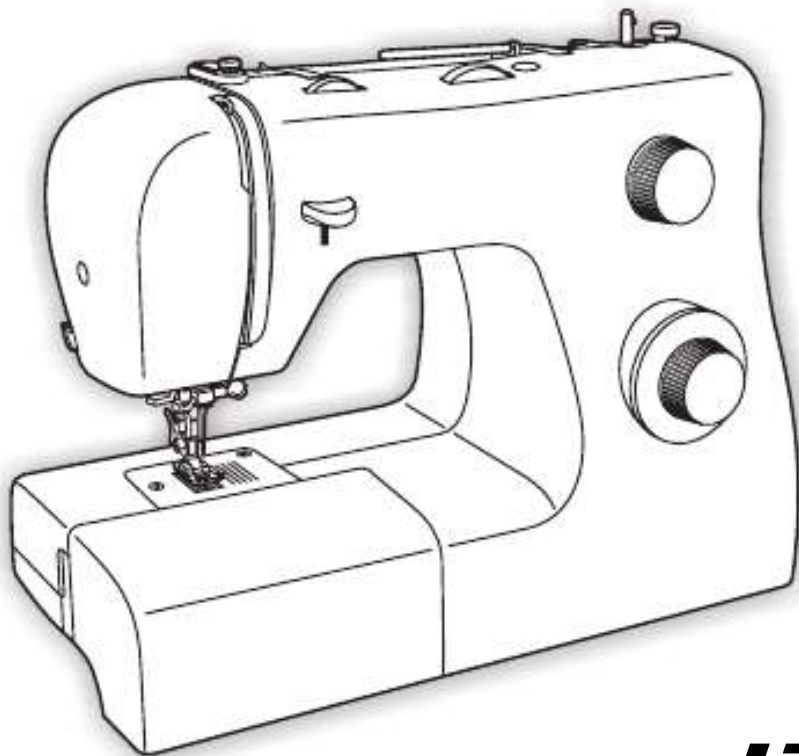
Psalm 19:14

"Let the words of my mouth and the meditation of my heart be acceptable to you, O Lord, my rock and my redeemer."





Let's all meet the challenge that God has given us to speak with gentleness, and put an end to words that hurt.



Life Instruction Manual

2263 Manual de Instrucciones

Manuel d'Instruction