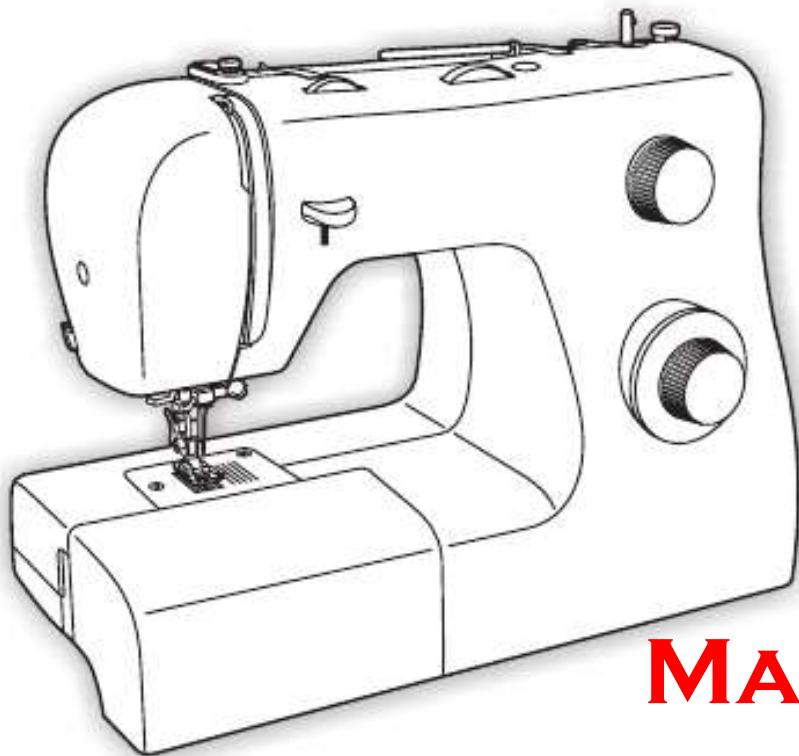


THE BOOK OF JAMES
Life Instruction Manual

2263 ***Manual de Instrucciones***

Manuel d'Instruction

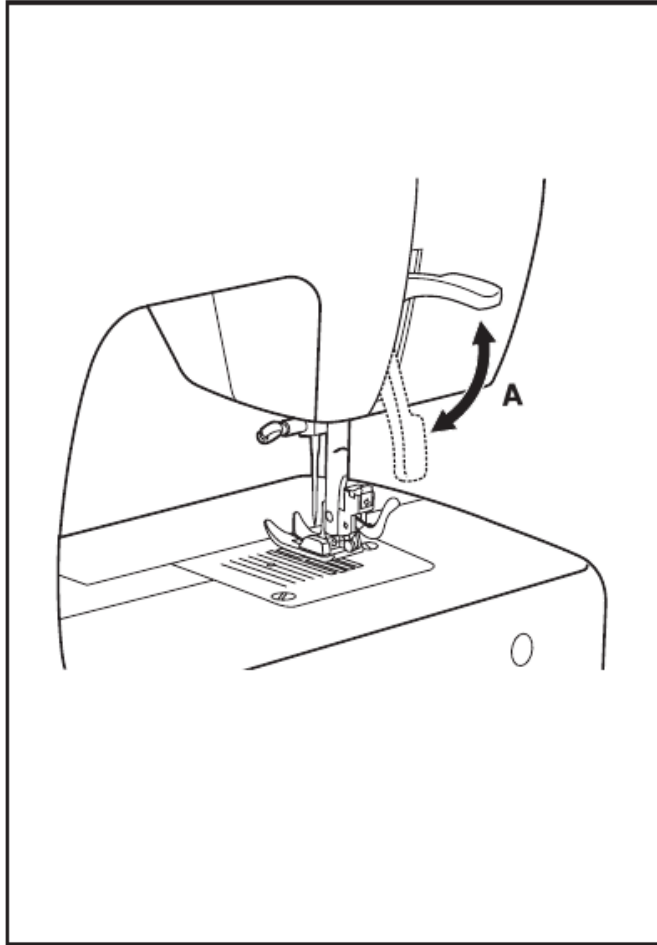


MAKING OUR PLANS

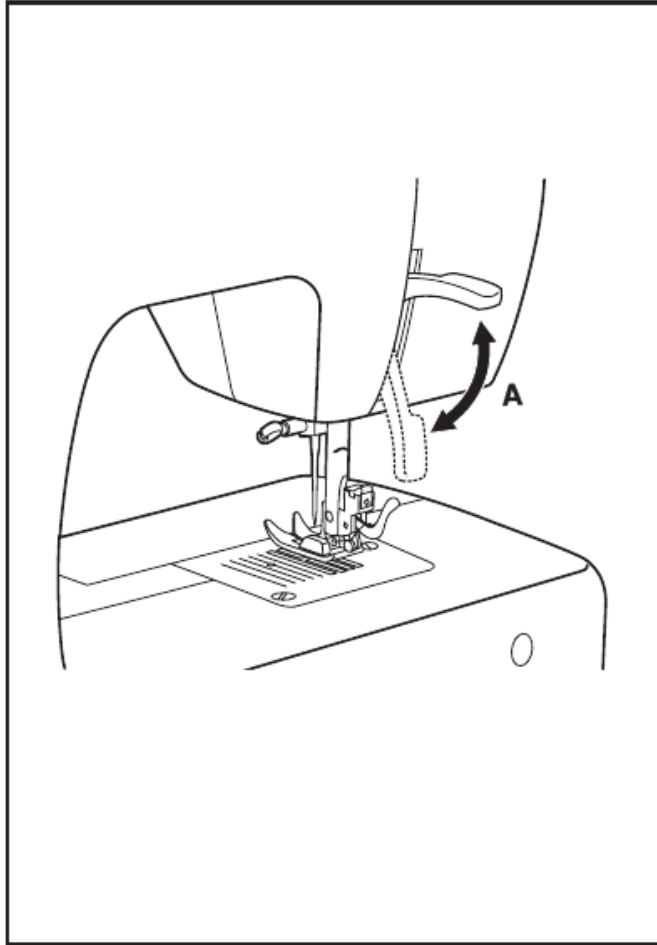
James 4:13-17

2263 *Manual de Instrucciones*

Manuel d'Instruction

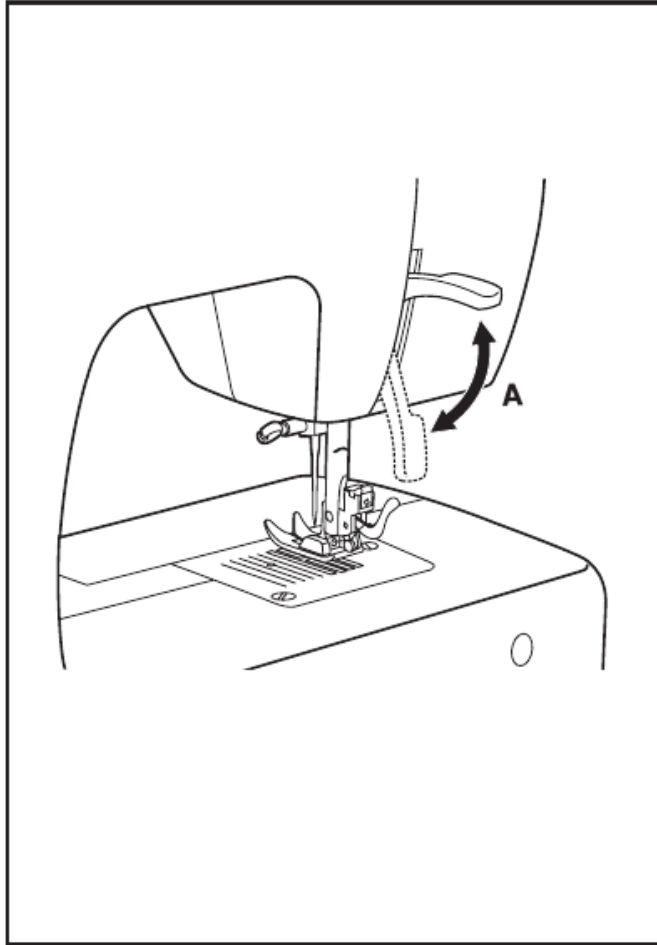


"Now I don't take things for granted as much. Your priorities change. The things that used to bother you in life, you now see that they are really not that important. Life is so precious and is so fragile."



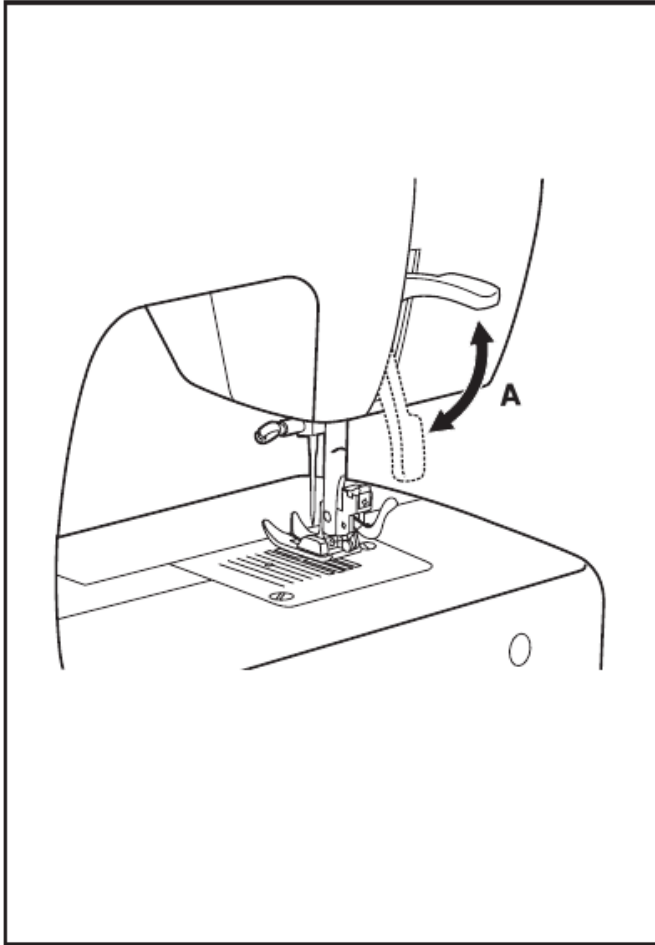
***"If you fail to plan, you
plan to fail!"***

***"If you fail to seek God's
will your plans will fail!"***



Psalm 14:2

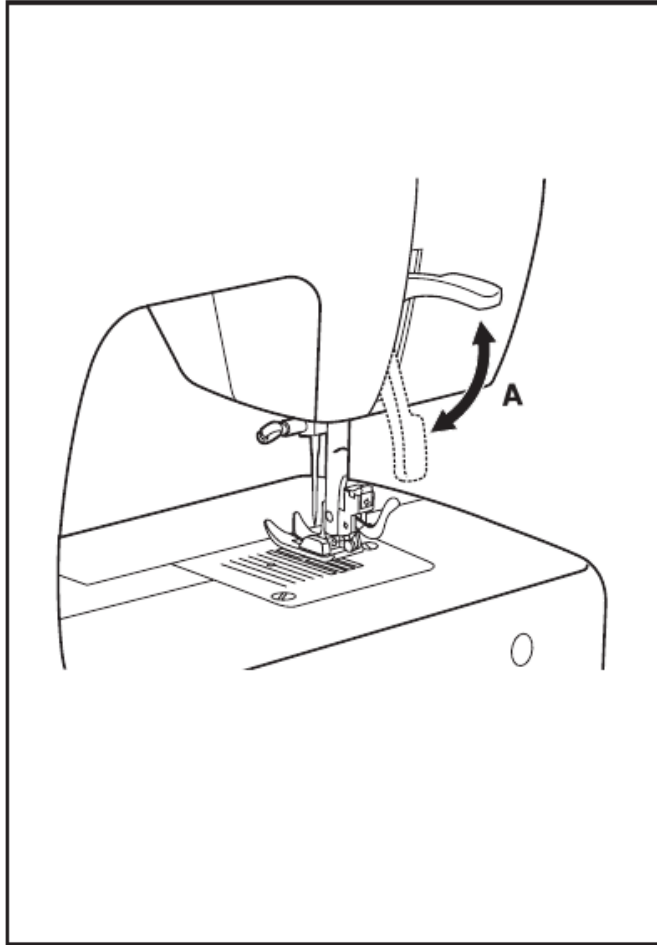
The LORD looks down from heaven on the entire human race; he looks to see if anyone is truly wise, if anyone seeks God.



Planning Is Good, But The Will Of God Is Better

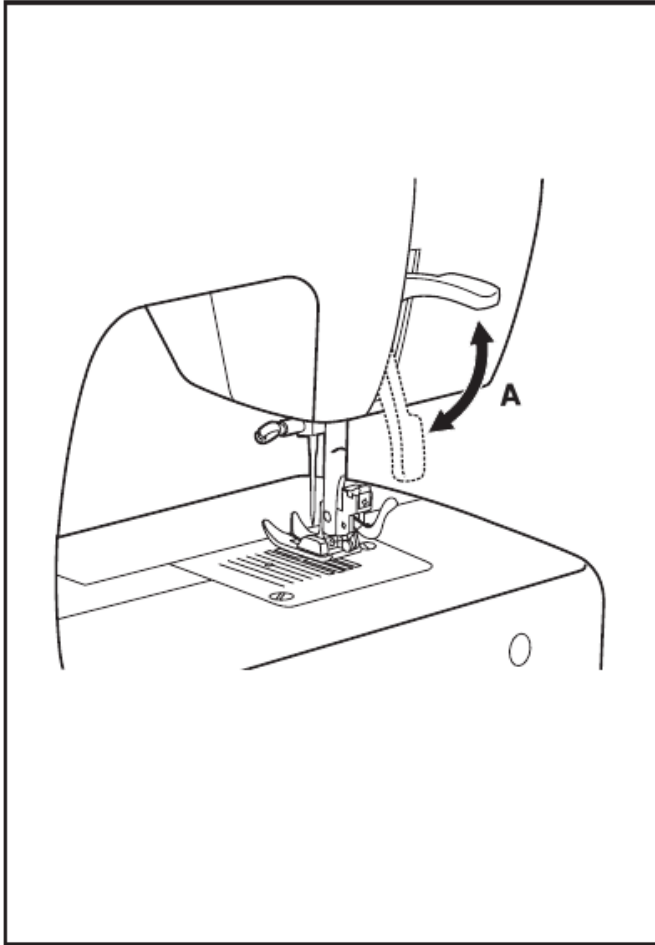
Seeking God's Will First Is Wise

James 4:13-17



¹³ Look here, you who say, “Today or tomorrow we are going to a certain town and will stay there a year. We will do business there and make a profit.” ¹⁴ How do you know what your life will be like tomorrow? Your life is like the morning fog—it’s here a little while, then it’s gone. ¹⁵ What you ought to say is, “If the Lord wants us to, we will live

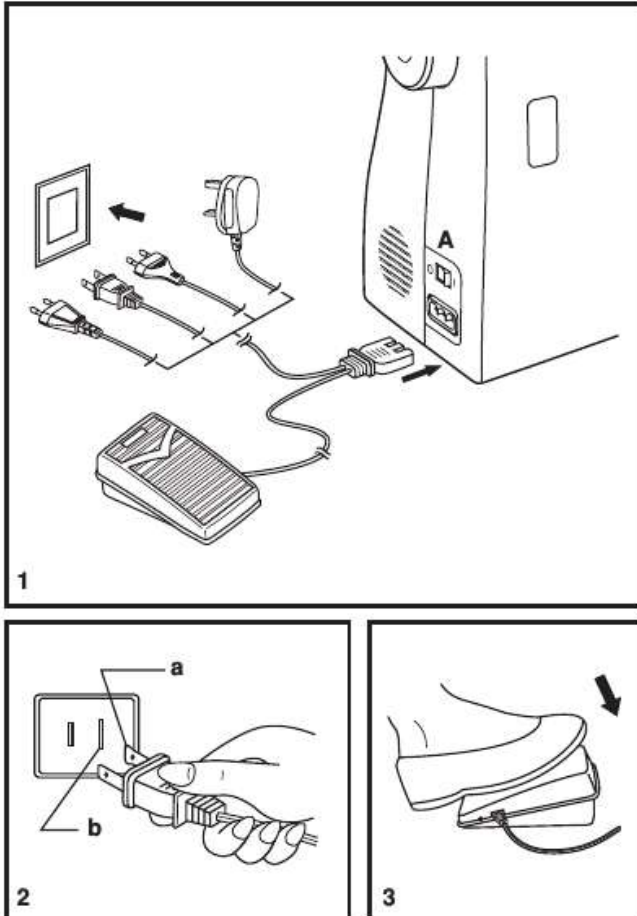
James 4:13-17



and do this or that.”¹⁶

Otherwise you are boasting about your own pretentious plans, and all such boasting is evil.

¹⁷ Remember, it is sin to know what you ought to do and then not do it.

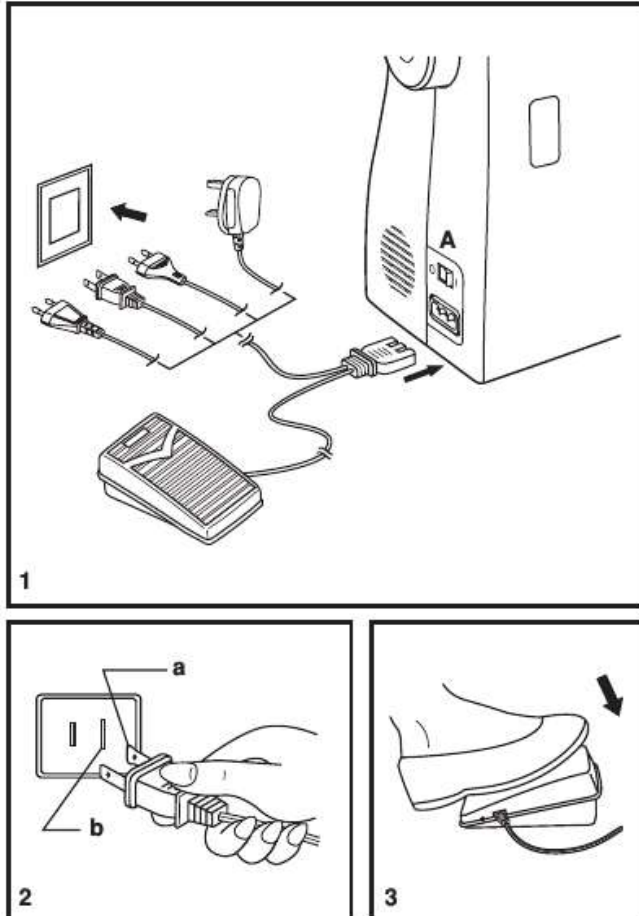


"In preparing for battle I have always found that plans are useless, but planning is indispensable."

Dwight D. Eisenhower

"Give me six hours to chop down a tree and I will spend the first four sharpening the axe."

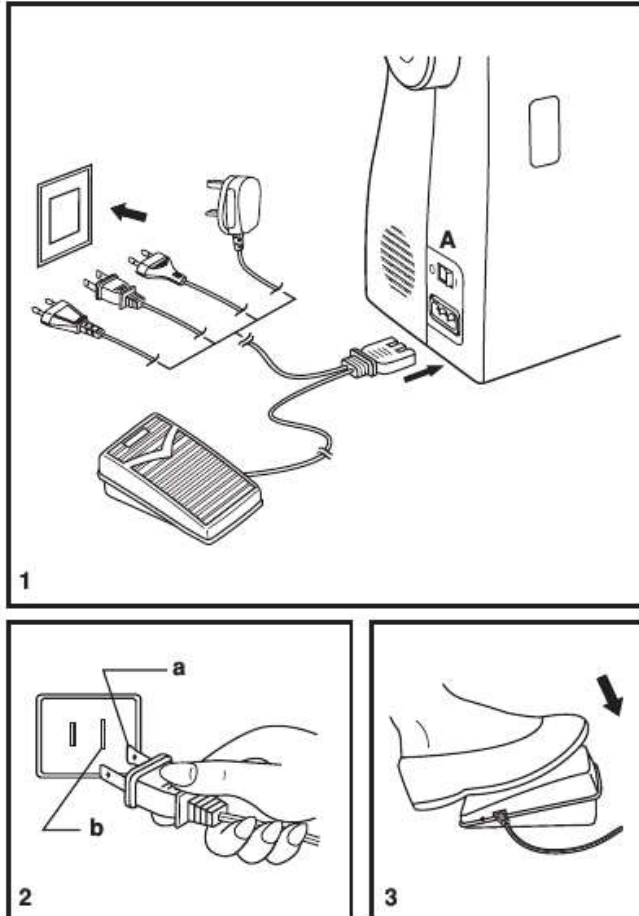
Abraham Lincoln



Planning is a good thing, as long as God is in it.

James 4:13

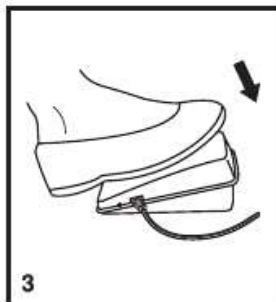
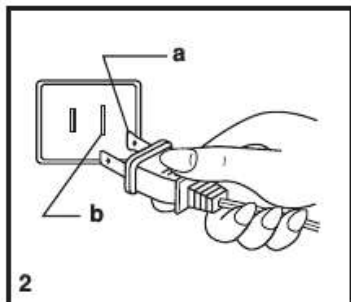
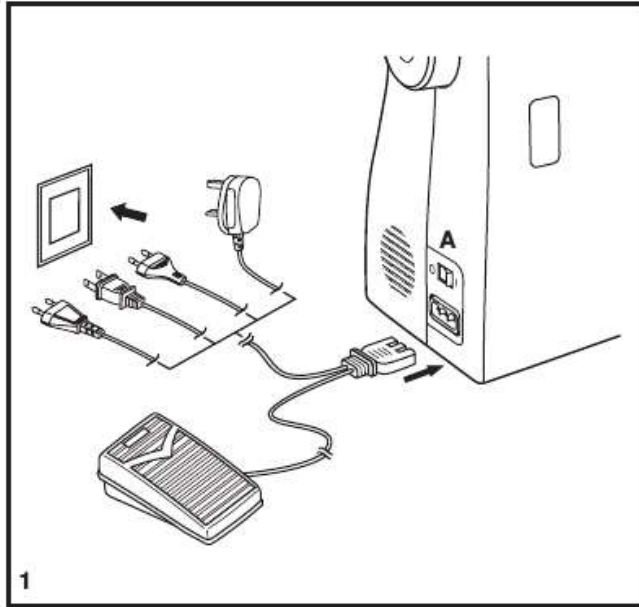
"Look here, you who say, "Today or tomorrow we are going to a certain town and will stay there a year. We will do business there and make a profit."



Planning is a good thing, as long as God is in it.

James 4:14

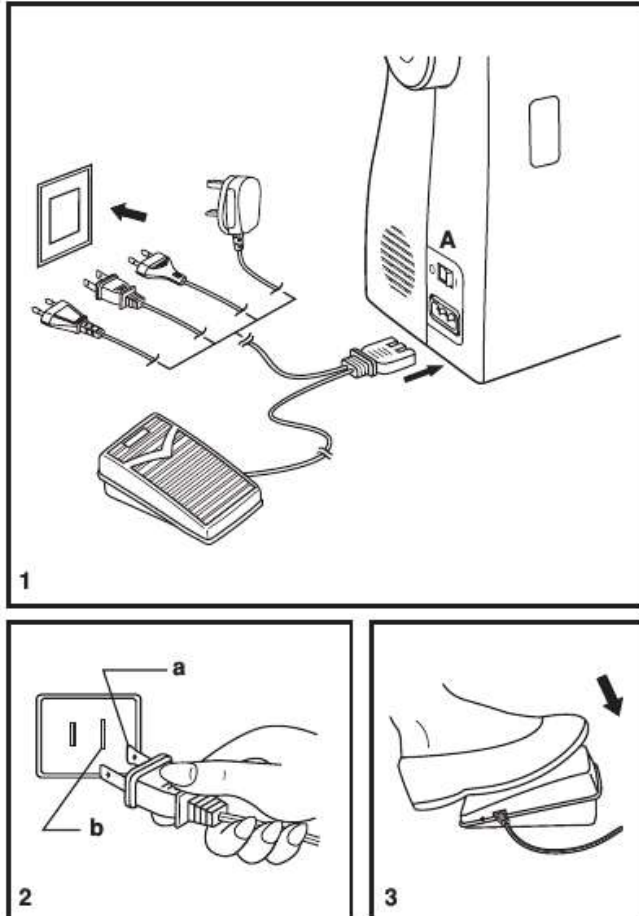
How do you know what your life will be like tomorrow? Your life is like the morning fog—it's here a little while, then it's gone."



Planning is a good thing, as long as God is in it.

Proverbs 27:1

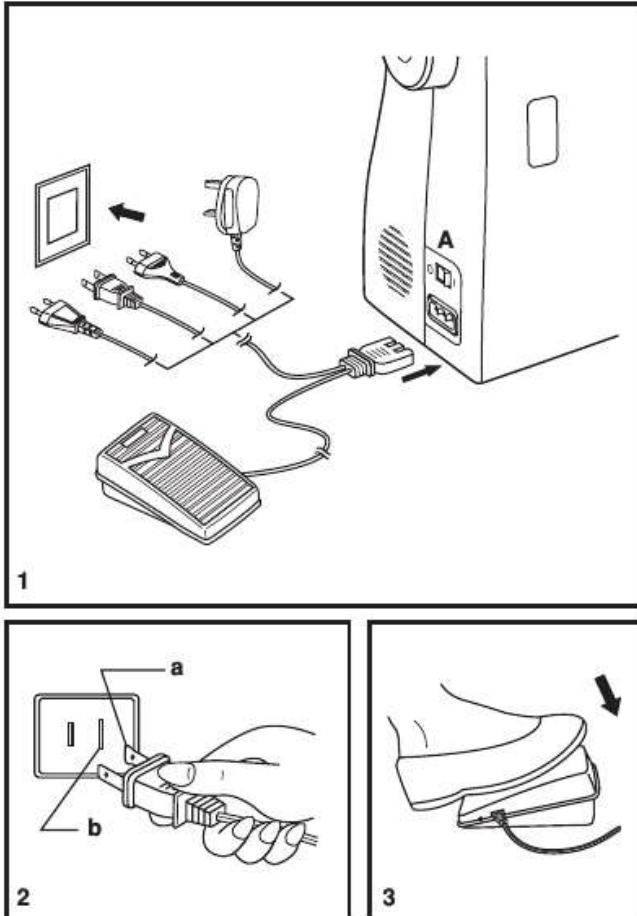
Don't brag about tomorrow, since you don't know what the day will bring.



***Because the future is uncertain,
it is even more important that
we completely depend on God***

James 4:13

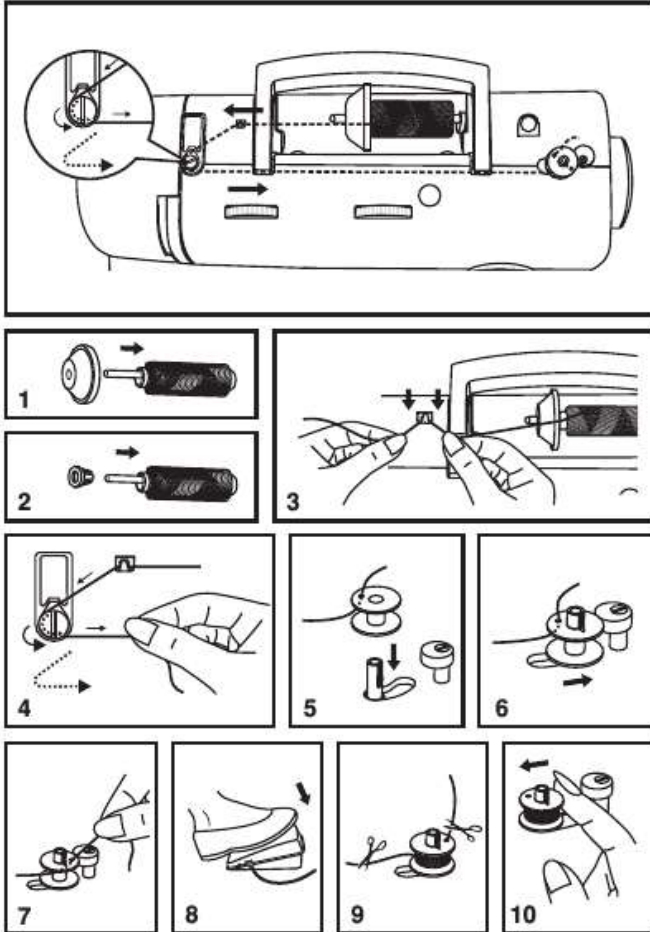
"Look here, you who say, "Today or tomorrow we are going to a certain town and will stay there a year. We will do business there and make a profit."



It is good to have goals, but goals can disappoint us if we leave God out of them.

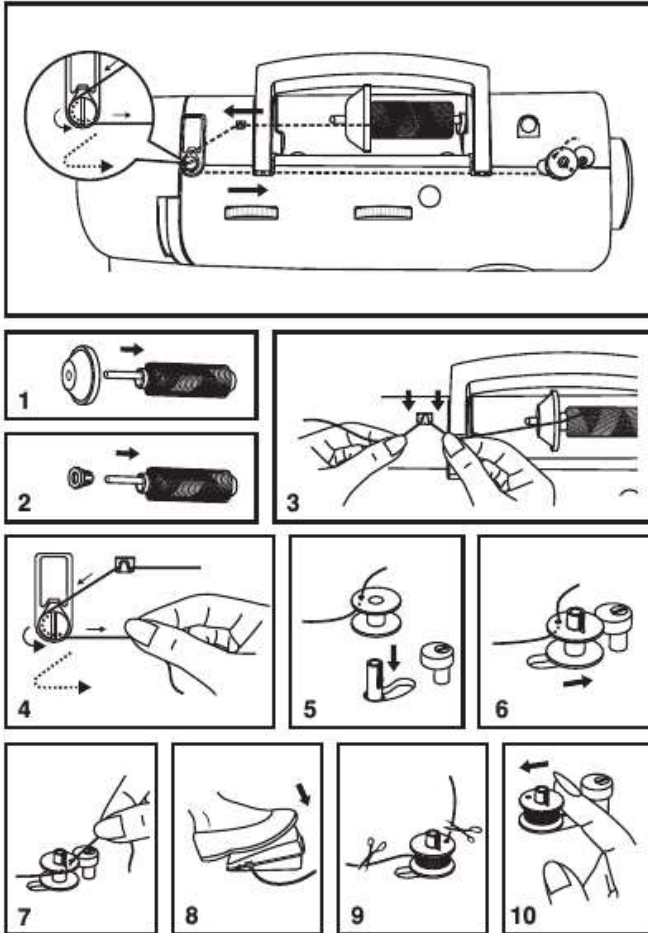
ATTENTION:

If we put God's desires at the center of our planning, he will never disappoint us

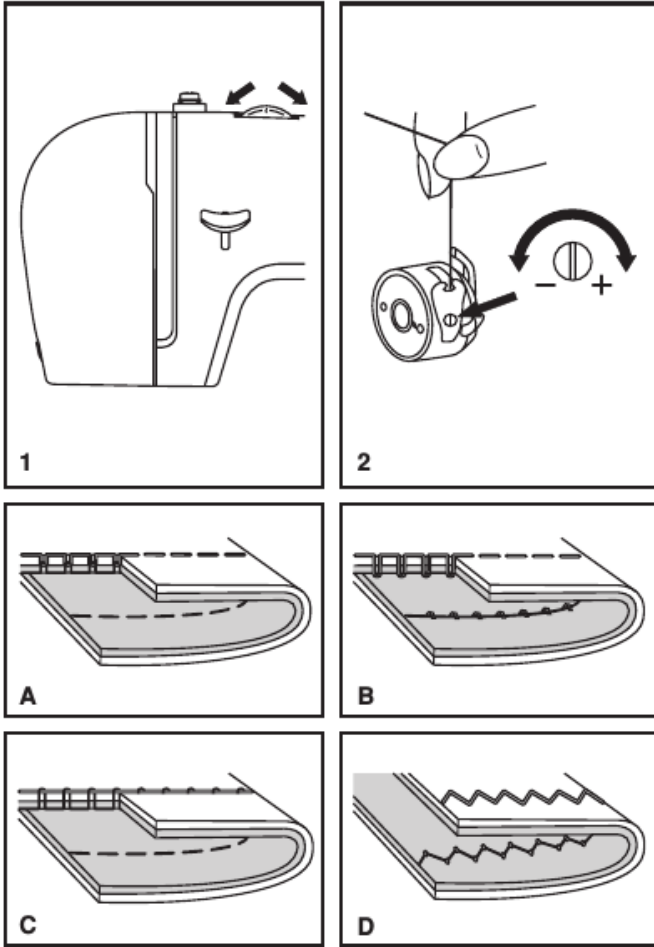


Proverbs 16:25

There is a path before each person that seems right, but it ends in death.

***ATTENTION:***

Making plans is wise, but making them without God's direction is foolish.

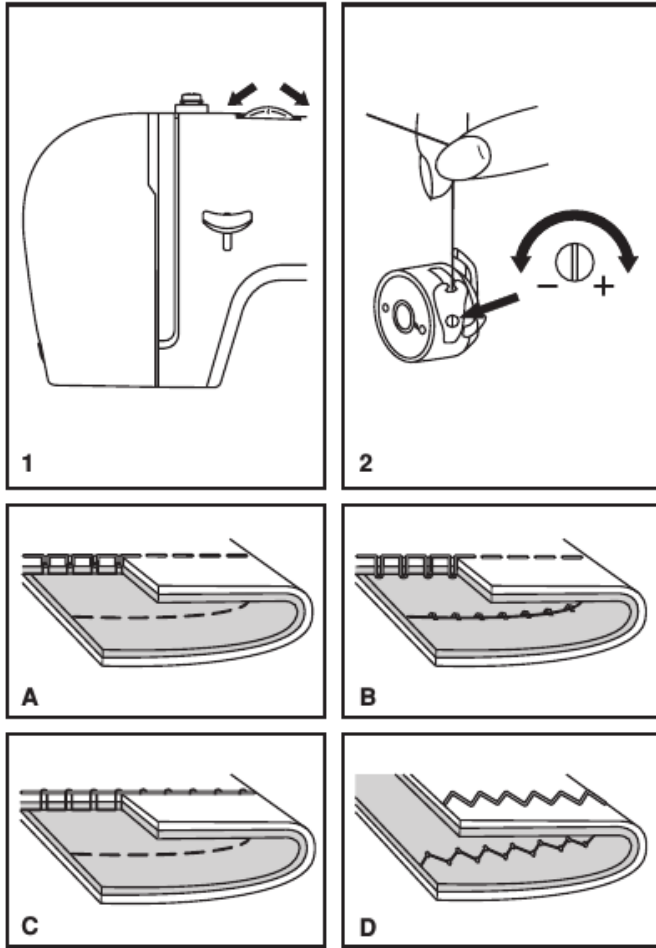


James 4:15-17

What you ought to say is, “If the Lord wants us to, we will live and do this or that.” ¹⁶

Otherwise you are boasting about your own pretentious plans, and all such boasting is evil.

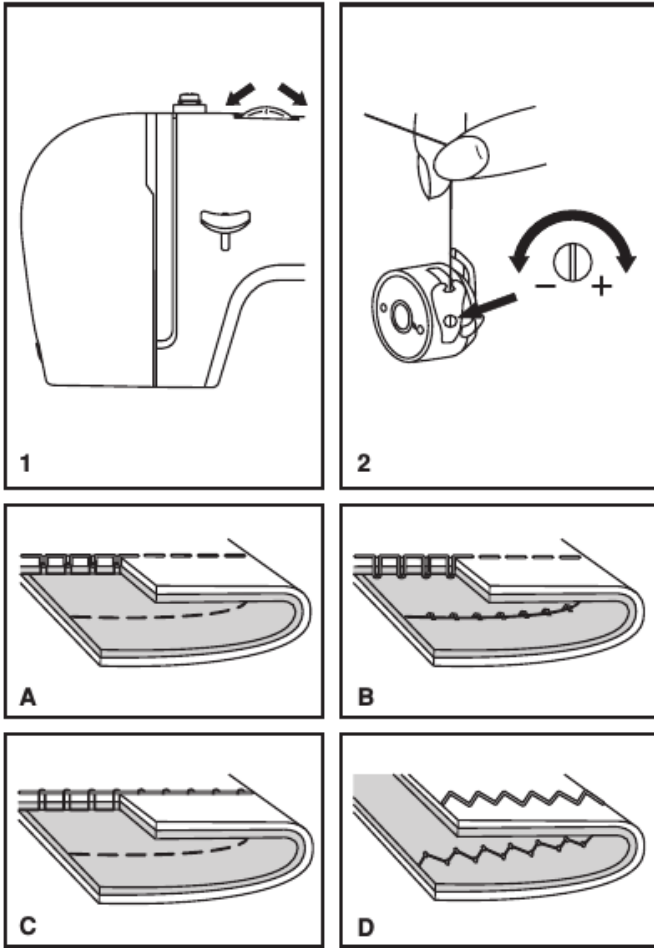
¹⁷ Remember, it is sin to know what you ought to do and then not do it.



If the Lord Wants...

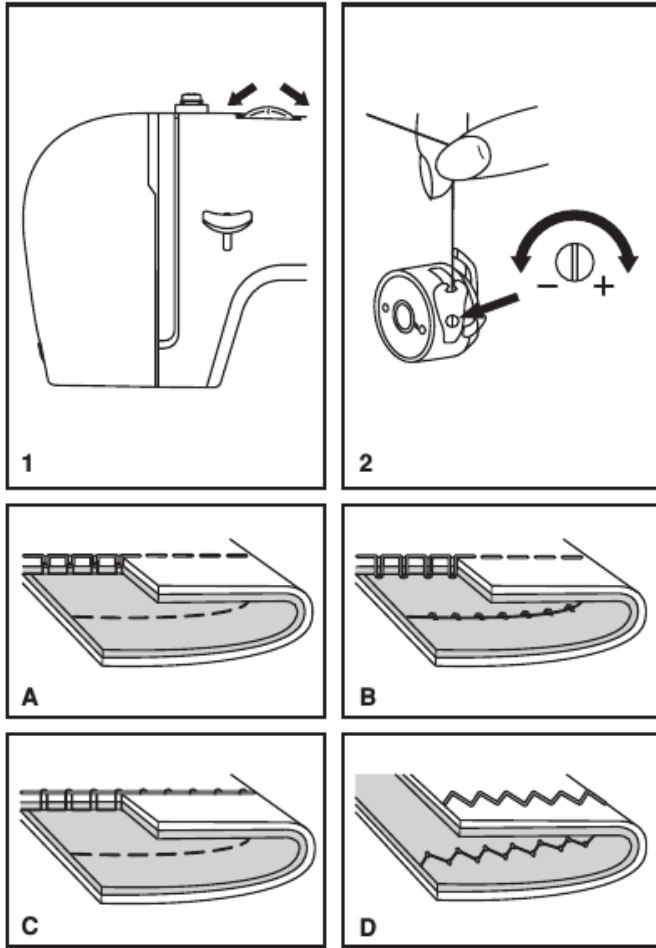
James 4:15

What you ought to say is, "If the Lord wants us to,



If the Lord Wants...

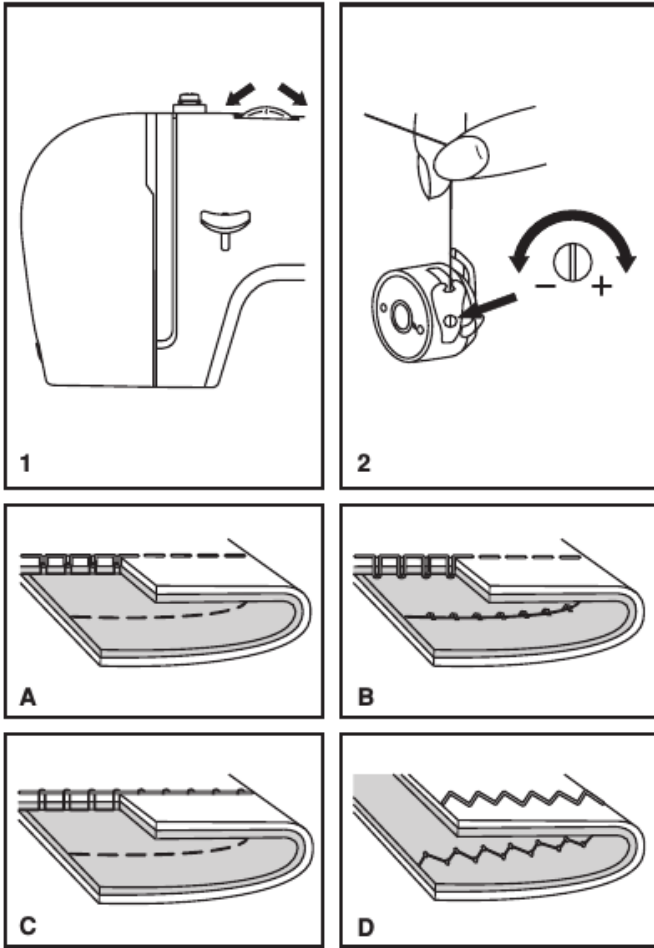
ATTENTION:
*It ought to be a genuine
desire of our hearts.*



If the Lord Wants...

James 4:16

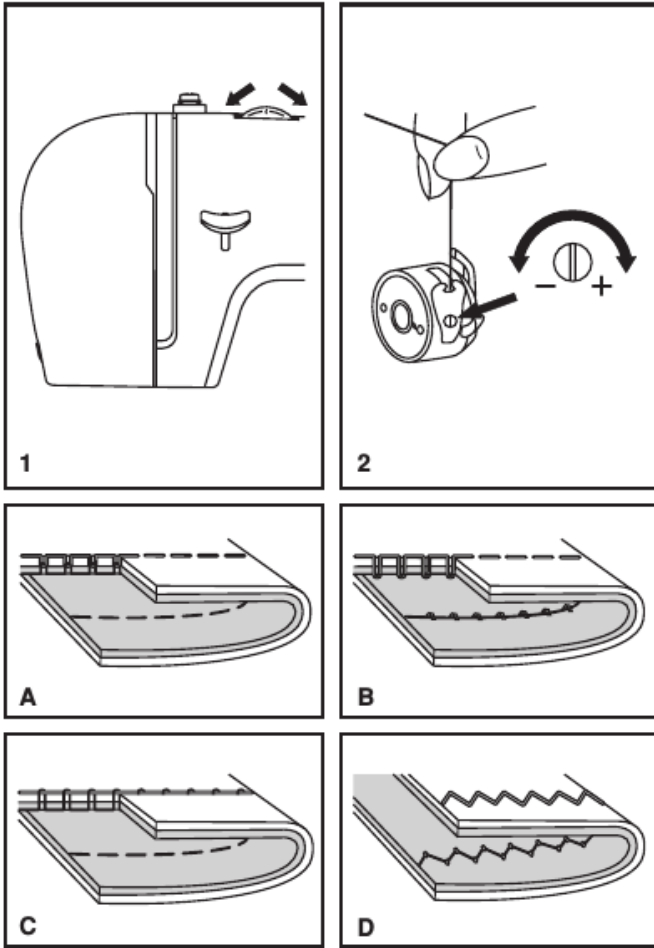
Otherwise you are boasting
about your own pretentious
plans,



If the Lord Wants...

James 4:16

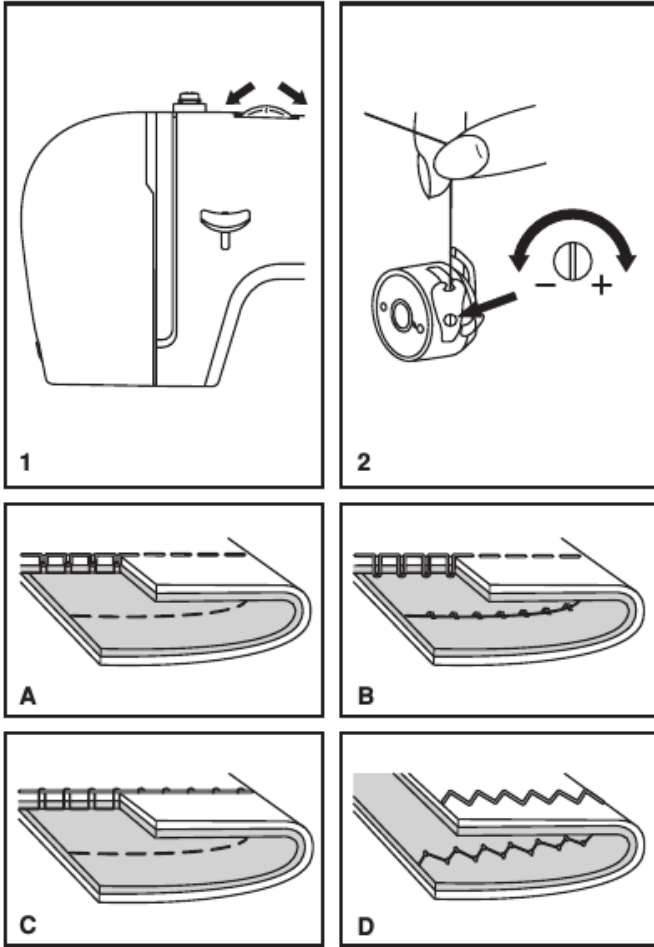
and all such boasting is evil.



If the Lord Wants...

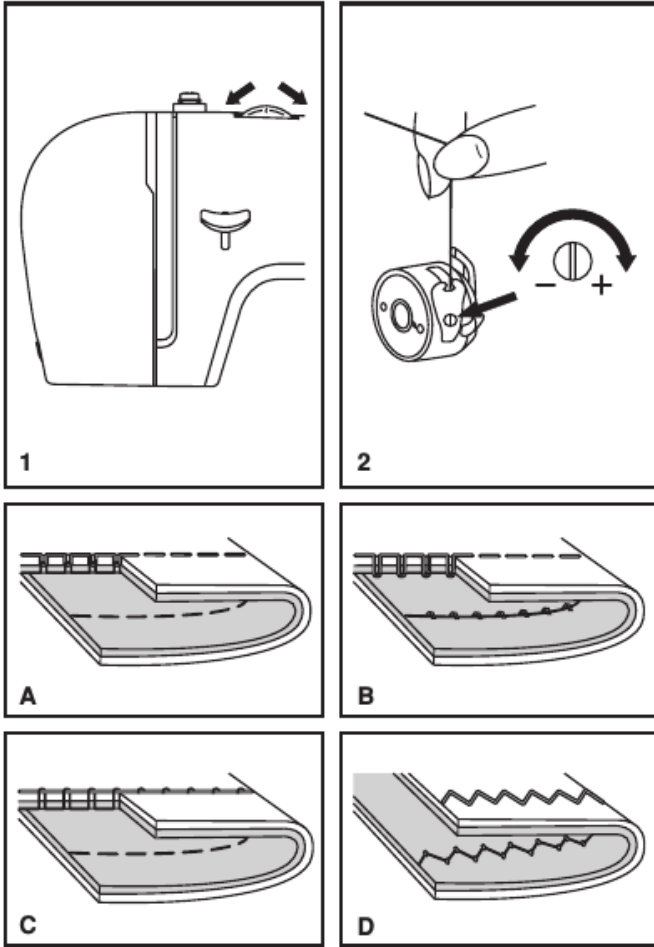
James 4:17

Remember, it is sin to know what you ought to do and then not do it.



Seek first the kingdom

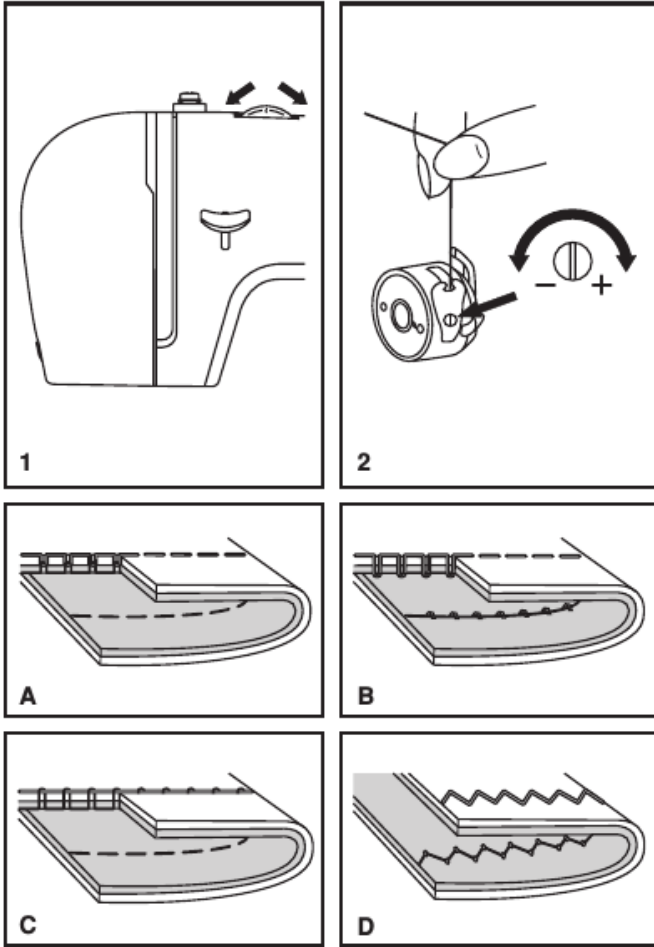
"As followers of Jesus, we should be seeking Gods perspective. Are you, like me, overwhelmed and losing perspective? We need to stop and climb the mast of the ship of faith, to see life from Gods perspective. It will change completely what we see."



Seek first the kingdom

Matthew 6:31-33

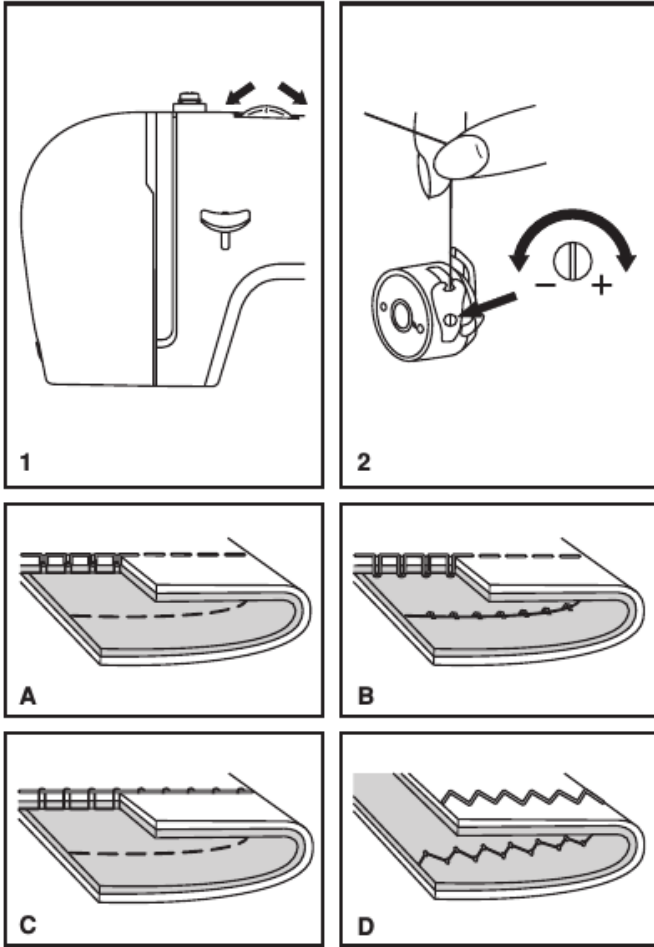
“So don’t worry about these things, saying, ‘What will we eat? What will we drink? What will we wear?’³² These things dominate the thoughts of unbelievers, but your heavenly Father already knows all your needs.³³ Seek the Kingdom of God above all else, and live righteously, and he will give you everything you need.



Seek first the kingdom

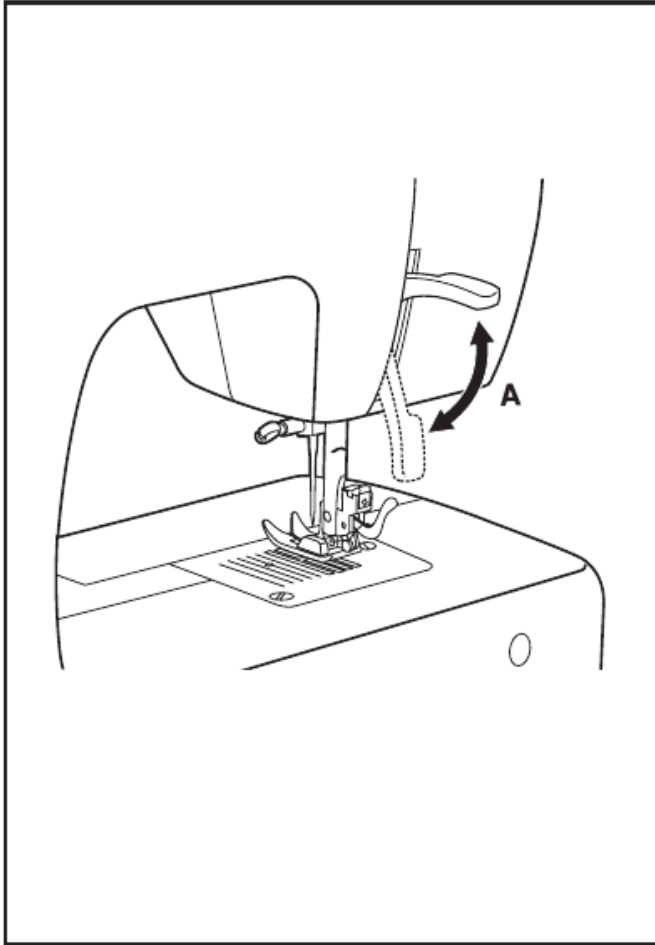
Colossians 1:18

Christ is also the head of the church, which is his body. He is the beginning, supreme over all who rise from the dead. So he is first in everything.



Seek first the kingdom

***ATTENTION:
If Jesus isn't Lord of all
then he isn't Lord at all!***

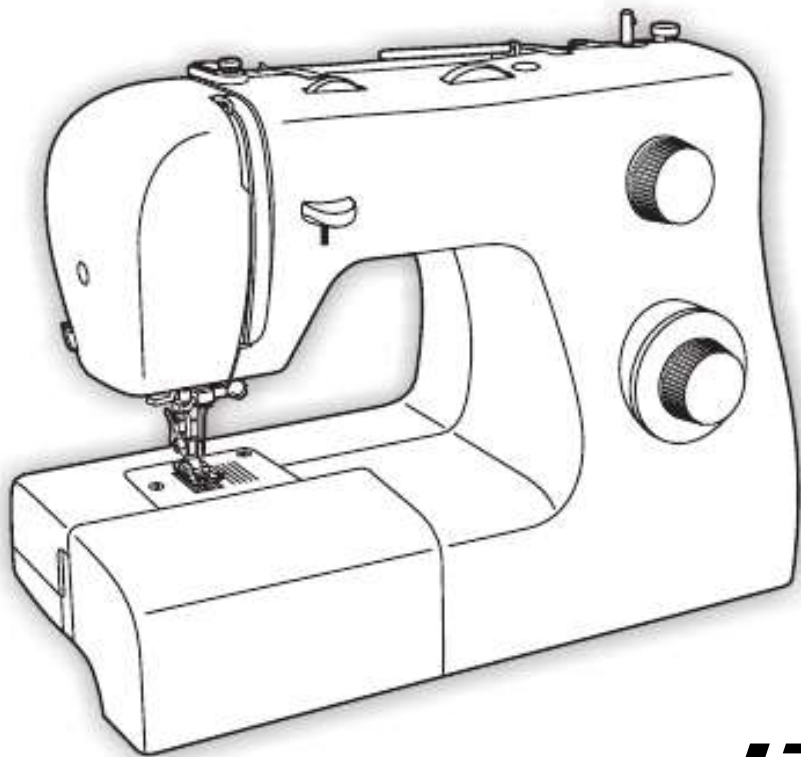


Planning Is Good, But The Will Of God Is Better

Seeking God's Will First Is Wise

Make sure that God is in the center of all your plans

Make sure that Jesus is first in every area of your life



Life Instruction Manual

2263 ***Manual de Instrucciones***

Manuel d'Instruction