

THE BOOK OF JAMES
Life Instruction Manual

2263 ***Manual de Instrucciones***

Manuel d'Instruction



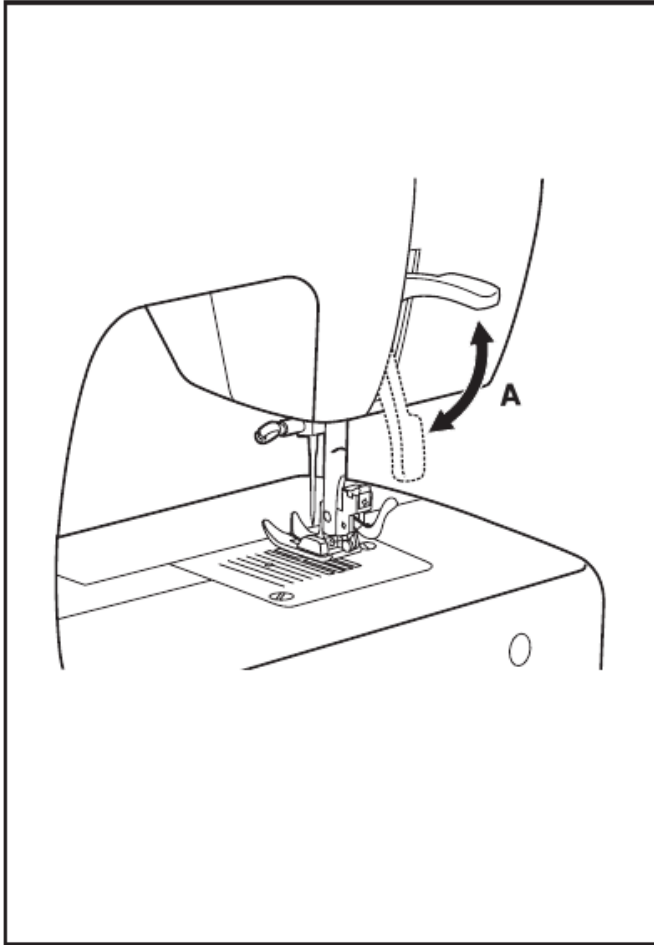
DEAD MAN WALKING

James 2:14-26

2263 *Manual de Instrucciones*

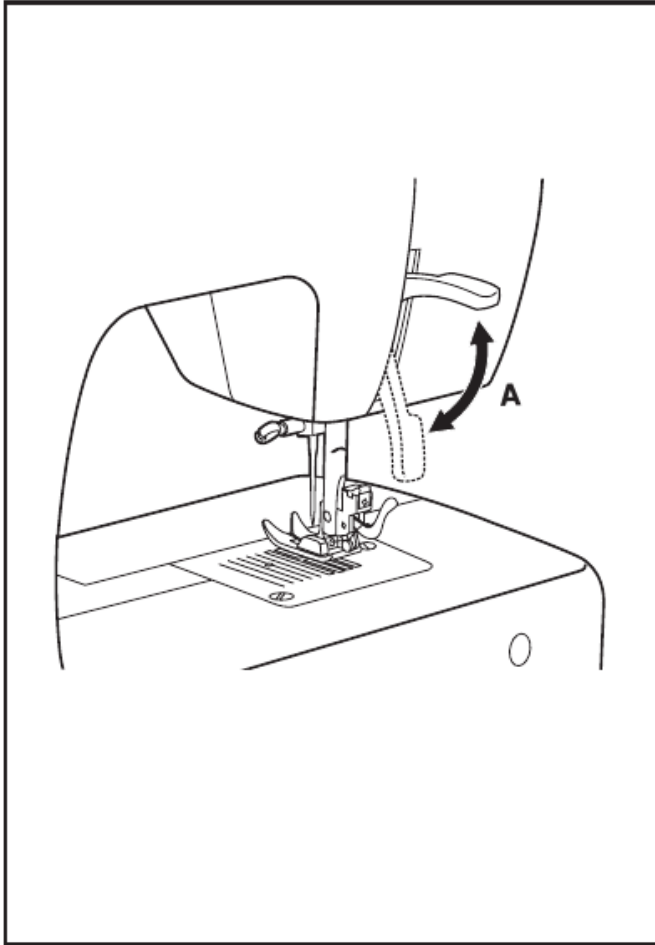
Manuel d'Instruction

James 2:14-26



What good is it, dear brothers and sisters, if you say you have faith but don't show it by your actions? Can that kind of faith save anyone? ¹⁵ Suppose you see a brother or sister who has no food or clothing, ¹⁶ and you say, "Good-bye and have a good day; stay warm and eat well"—but then you don't give that person any food or clothing. What good does that do? ¹⁷ So you see, faith by itself isn't enough. Unless it produces good deeds, it is dead and useless.

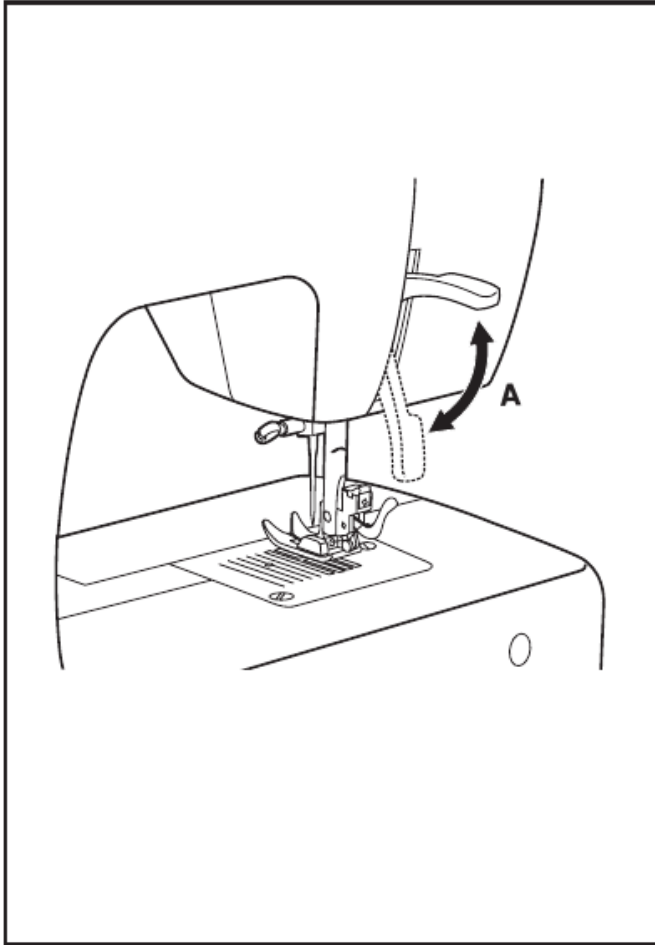
James 2:14-26



¹⁸ Now someone may argue, “Some people have faith; others have good deeds.” But I say, “How can you show me your faith if you don’t have good deeds? I will show you my faith by my good deeds.”

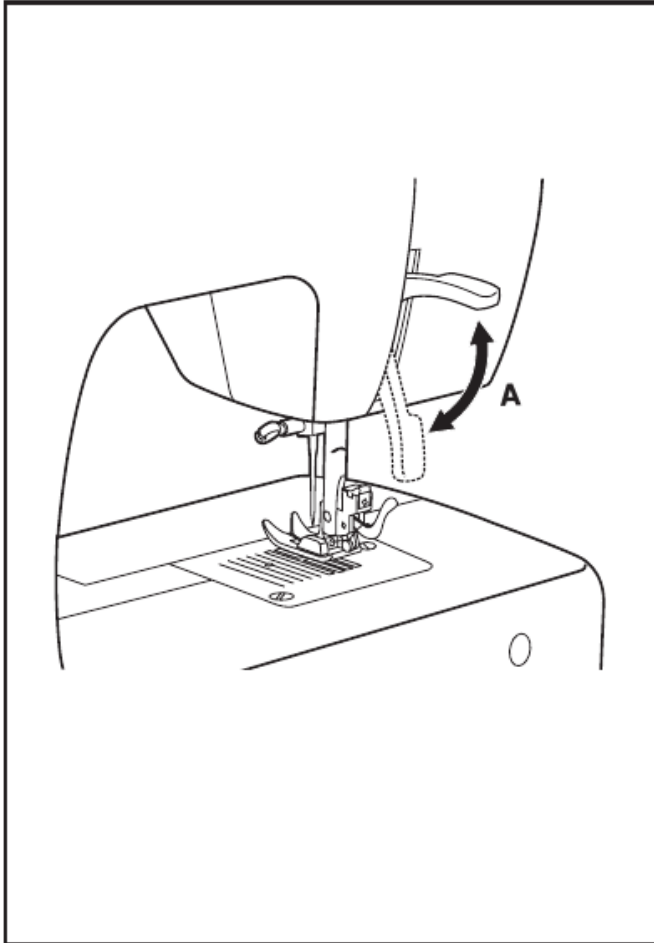
¹⁹ You say you have faith, for you believe that there is one God. Good for you! Even the demons believe this, and they tremble in terror. ²⁰ How foolish! Can’t you see that faith without good deeds is useless?

James 2:14-26



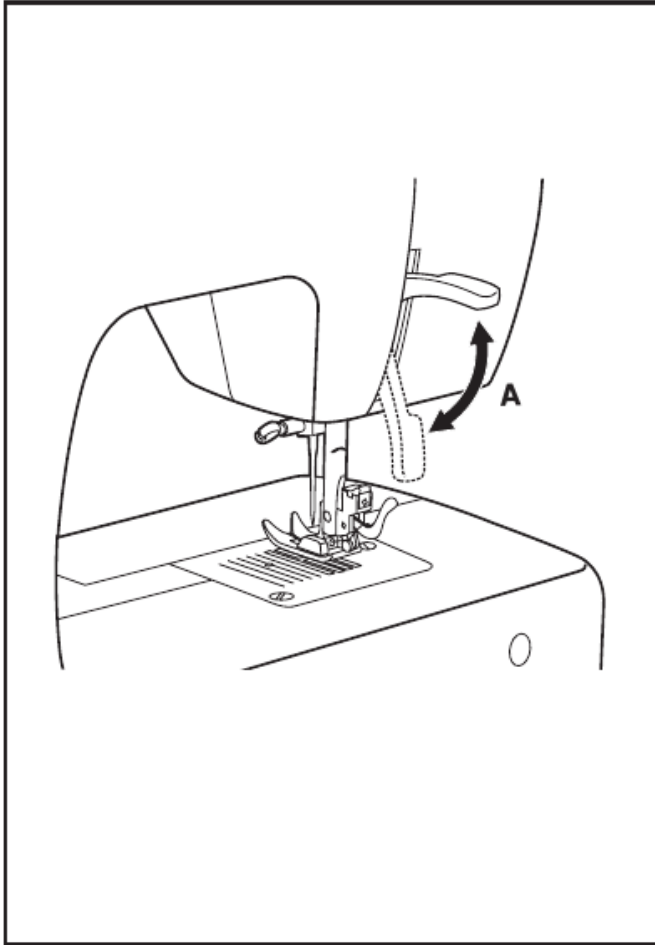
²¹ Don't you remember that our ancestor Abraham was shown to be right with God by his actions when he offered his son Isaac on the altar? ²² You see, his faith and his actions worked together. His actions made his faith complete. ²³ And so it happened just as the Scriptures say: "Abraham believed God, and God counted him as righteous because of his faith." He was even called the friend of God. ²⁴ So you see, we are shown to be right with God by what we do, not by faith alone.

James 2:14-26



²⁵ Rahab the prostitute is another example. She was shown to be right with God by her actions when she hid those messengers and sent them safely away by a different road. ²⁶ Just as the body is dead without breath, so also faith is dead without good works.

Ephesians 2:8-9

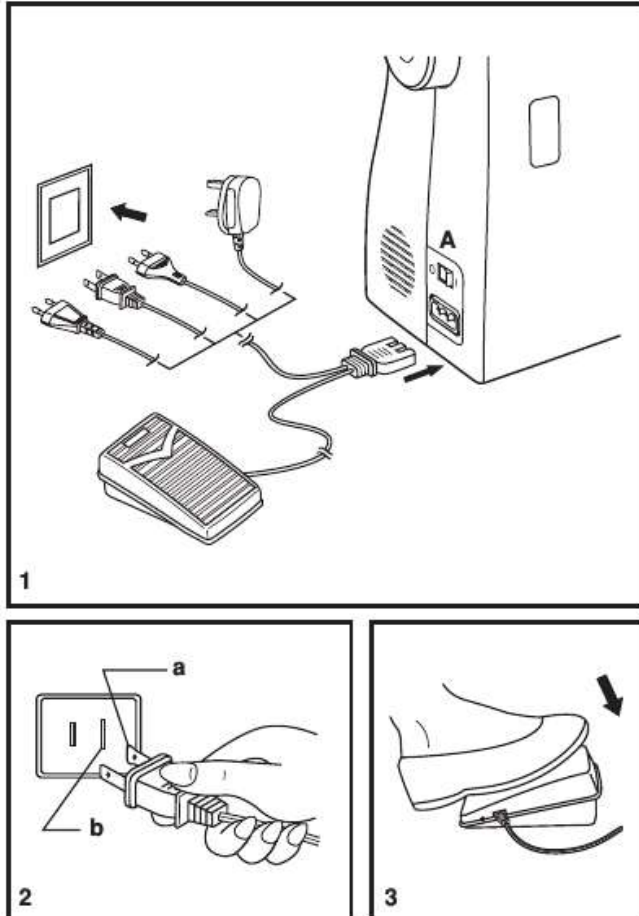


God saved you by his grace when you believed. And you can't take credit for this; it is a gift from God. ⁹ Salvation is not a reward for the good things we have done, so none of us can boast about it.

Distinguishing Faith

James 2:14-18

What good is it, dear brothers and sisters, if you say you have faith but don't show it by your actions? Can that kind of faith save anyone? ¹⁵ Suppose you see a brother or sister who has no food or clothing, ¹⁶ and you say, "Good-bye and have a good day; stay warm and eat well"—but then you don't give that person any food or clothing. What good does that do?

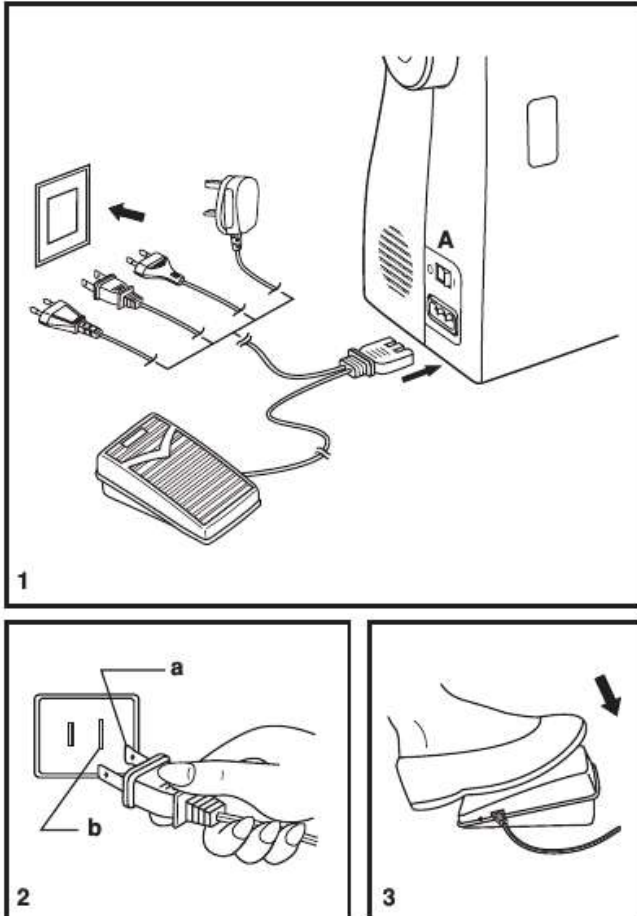


Distinguishing Faith

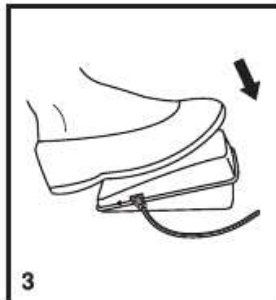
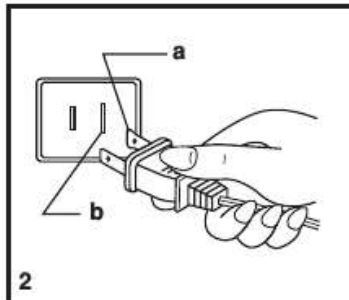
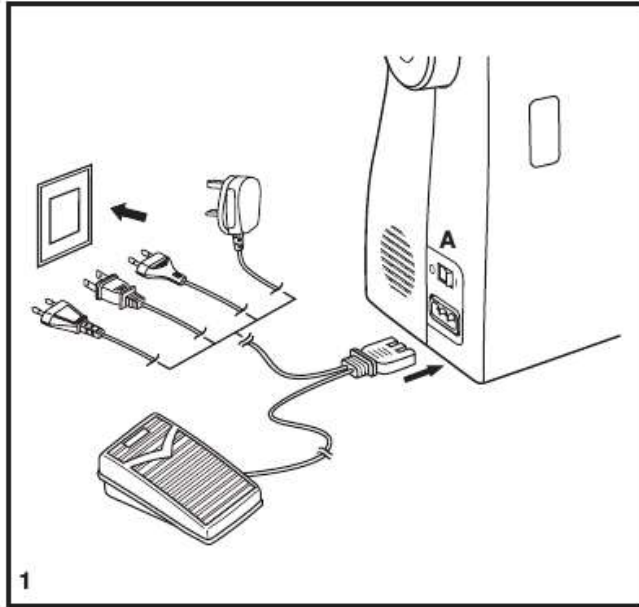
James 2:14-18

17 So you see, faith by itself isn't enough. Unless it produces good deeds, it is dead and useless.

18 Now someone may argue, "Some people have faith; others have good deeds." But I say, "How can you show me your faith if you don't have good deeds? I will show you my faith by my good deeds."



Distinguishing Faith



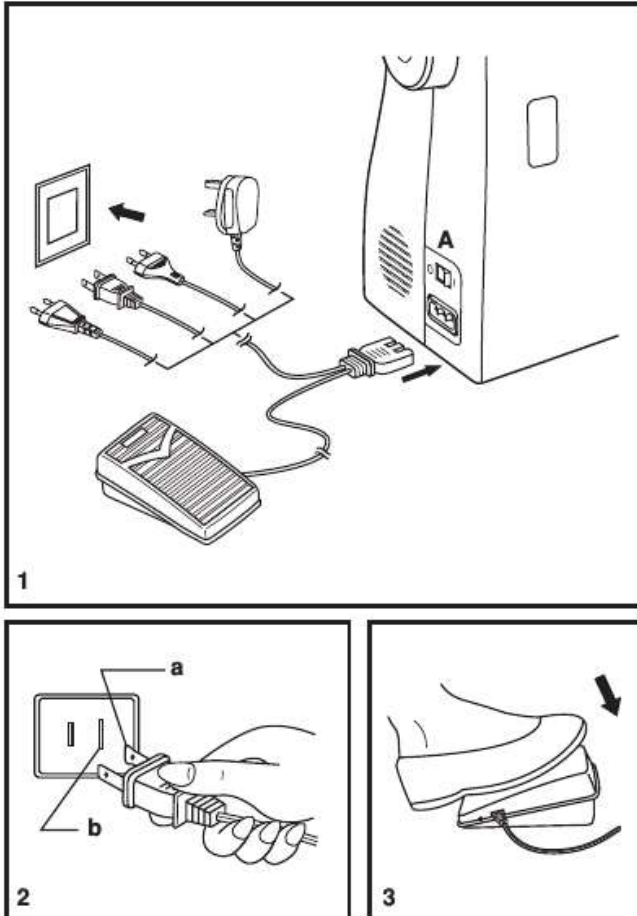
ATTENTION:
It is our works that tell others who we are.

ATTENTION:
Our works define our faith.

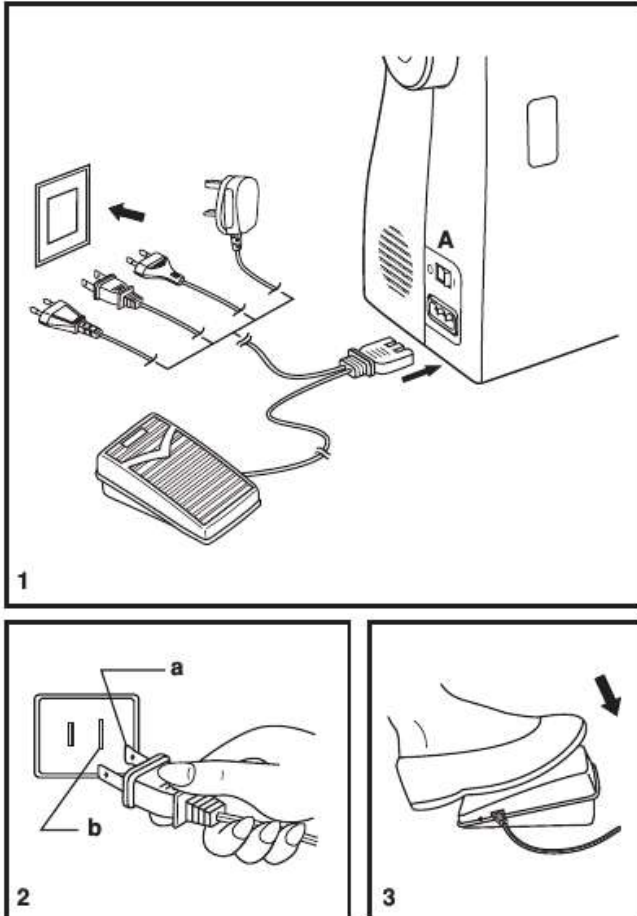
Disguising Faith

James 2:19-20

You say you have faith, for you believe that there is one God. Good for you! Even the demons believe this, and they tremble in terror. ²⁰ How foolish! Can't you see that faith without good deeds is useless?



Distinguishing Faith



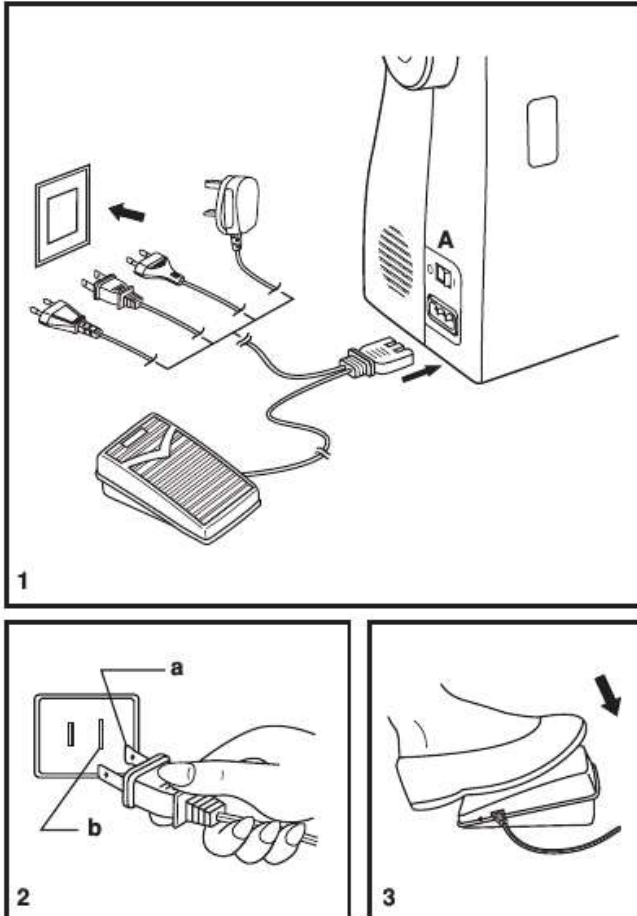
ATTENTION:
It is our works that separate the disguising from the actual faith.

Developing Faith

James 2:21-24

Don't you remember that our ancestor Abraham was shown to be right with God by his actions when he offered his son Isaac on the altar? ²²

You see, his faith and his actions worked together. His actions made his faith complete. ²³ And so it happened just as the Scriptures say: "Abraham believed God, and God counted him as righteous because of his faith." He was even called the friend of God. ²⁴ So you see, we are shown to be right with God by what we do, not by faith alone.



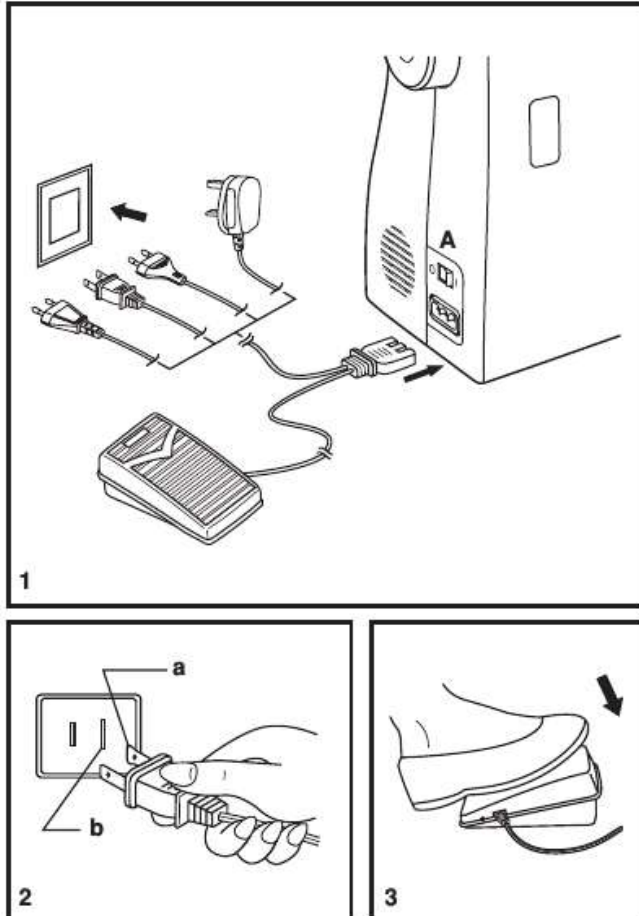
Developing Faith

2 Chronicles 20:7

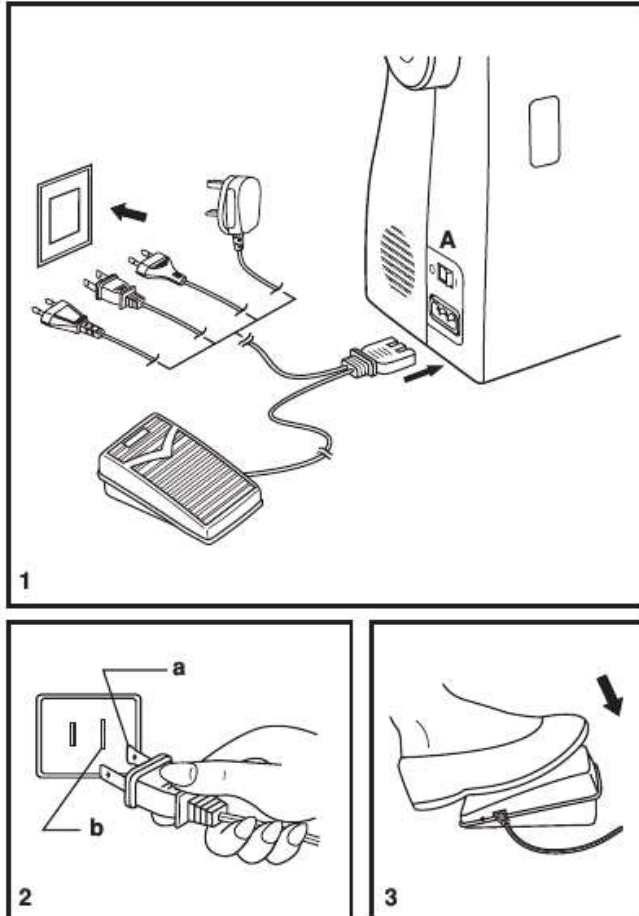
O our God, did you not drive out those who lived in this land when your people Israel arrived? And did you not give this land forever to the descendants of your friend Abraham?

Isaiah 41:8.

But as for you, Israel my servant, Jacob my chosen one, descended from Abraham my friend,



Developing Faith

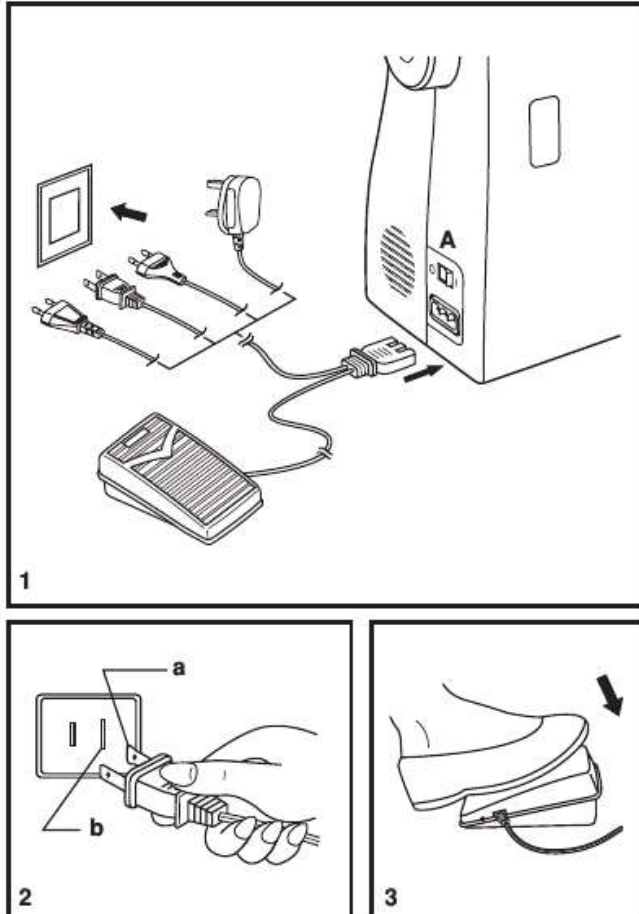


ATTENTION:
Rahab proclaimed her faith, but she showed it when she hid the spies.

Developing Faith

Ephesians 2:10

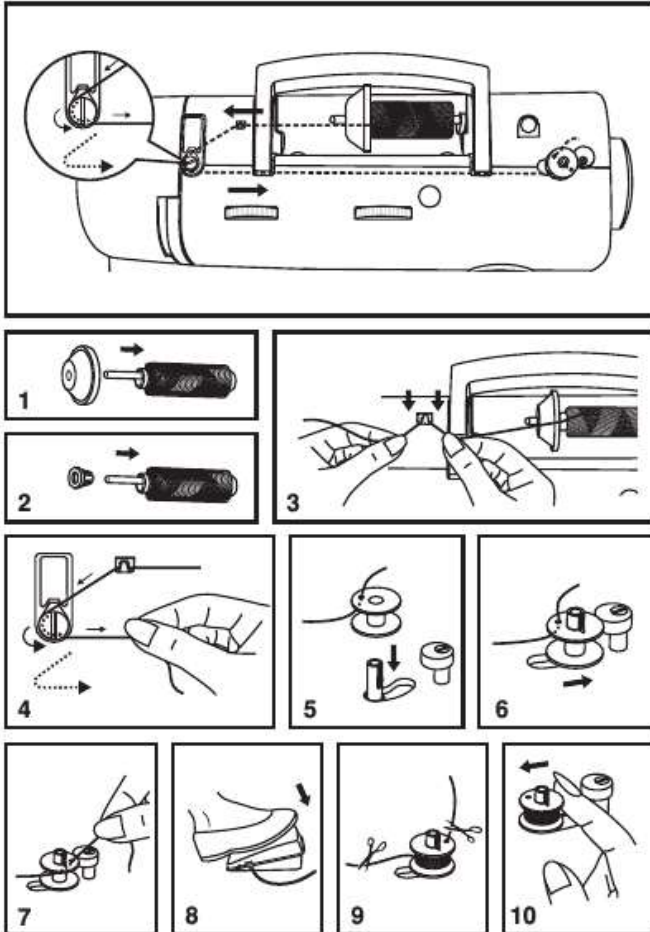
For we are God's masterpiece. He has created us anew in Christ Jesus, so we can do the good things he planned for us long ago.



Works of compassion to others

James 2:15-16

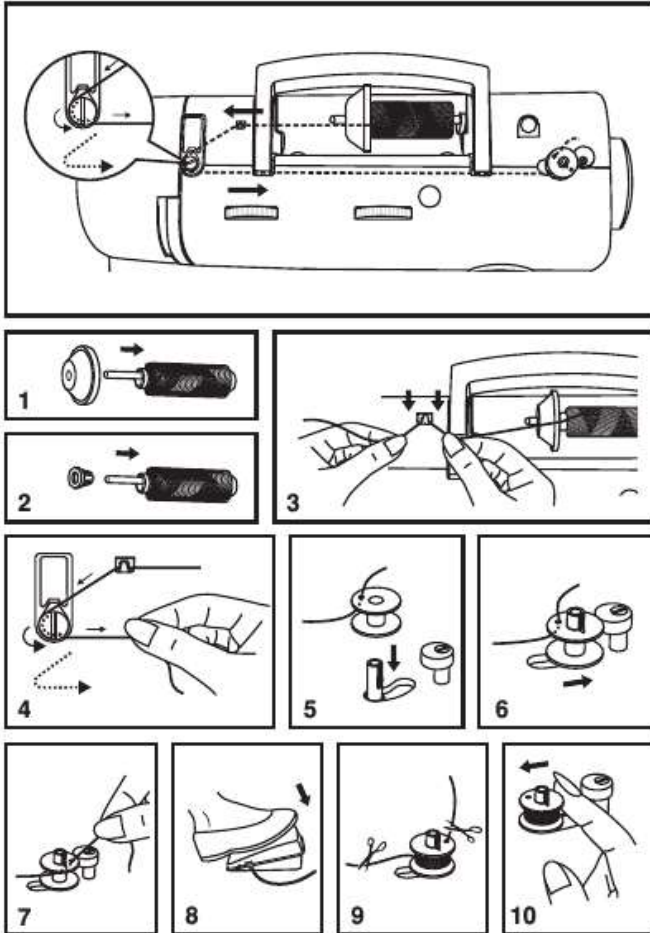
Suppose you see a brother or sister who has no food or clothing, ¹⁶ and you say, “Good-bye and have a good day; stay warm and eat well”—but then you don’t give that person any food or clothing. What good does that do?



Works of obedient response to God's commands

James 2:21-24

²¹ Don't you remember that our ancestor Abraham was shown to be right with God by his actions when he offered his son Isaac on the altar? ²² You see, his faith and his actions worked together. His actions made his faith complete.

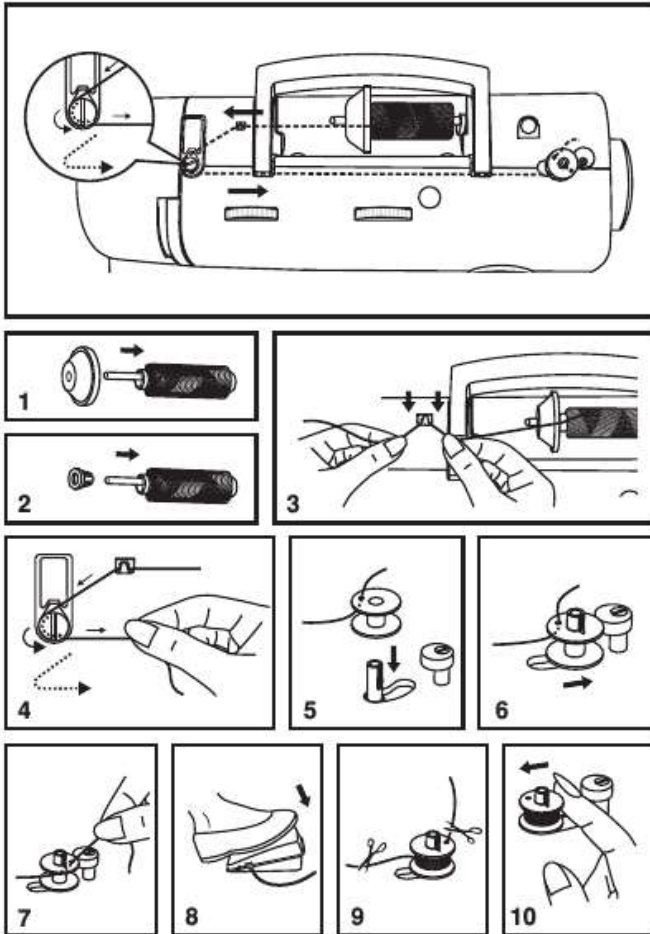


Works of obedient response to God's commands

James 2:21-24

²³ And so it happened just as the Scriptures say: "Abraham believed God, and God counted him as righteous because of his faith." He was even called the friend of God.

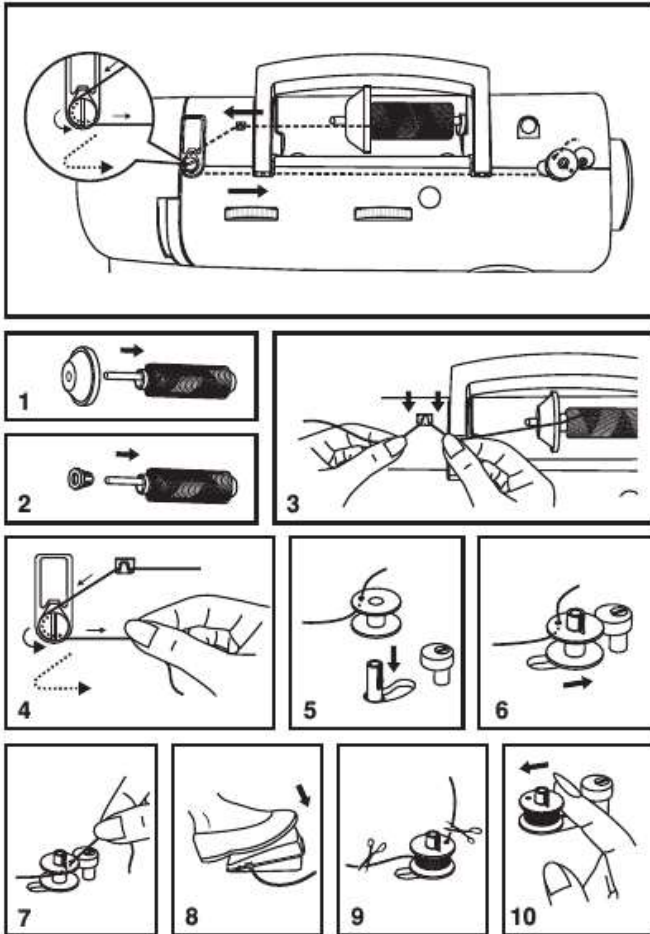
²⁴ So you see, we are shown to be right with God by what we do, not by faith alone.



Works of obedient response to God's commands

Hebrews 11:8-12

It was by faith that Abraham obeyed when God called him to leave home and go to another land that God would give him as his inheritance. He went without knowing where he was going. ⁹ And even when he reached the land God promised him, he lived there by faith—for he was like a foreigner, living in tents.



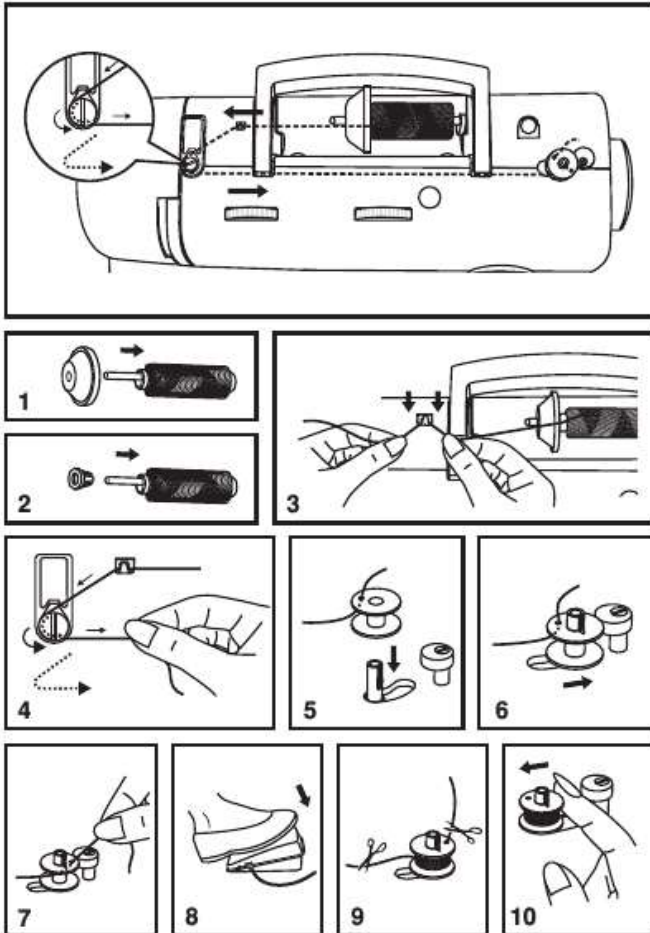
Works of obedient response to God's commands

Hebrews 11:8-12

And so did Isaac and Jacob, who inherited the same promise. ¹⁰

Abraham was confidently looking forward to a city with eternal foundations, a city designed and built by God.

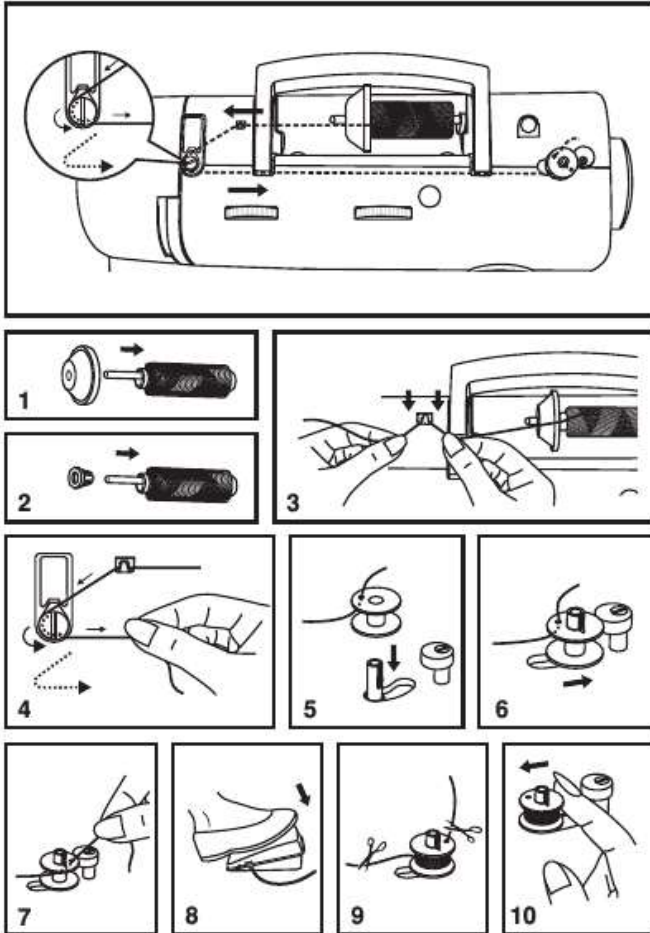
¹¹ It was by faith that even Sarah was able to have a child, though she was barren and was too old. She believed that God would keep his promise.

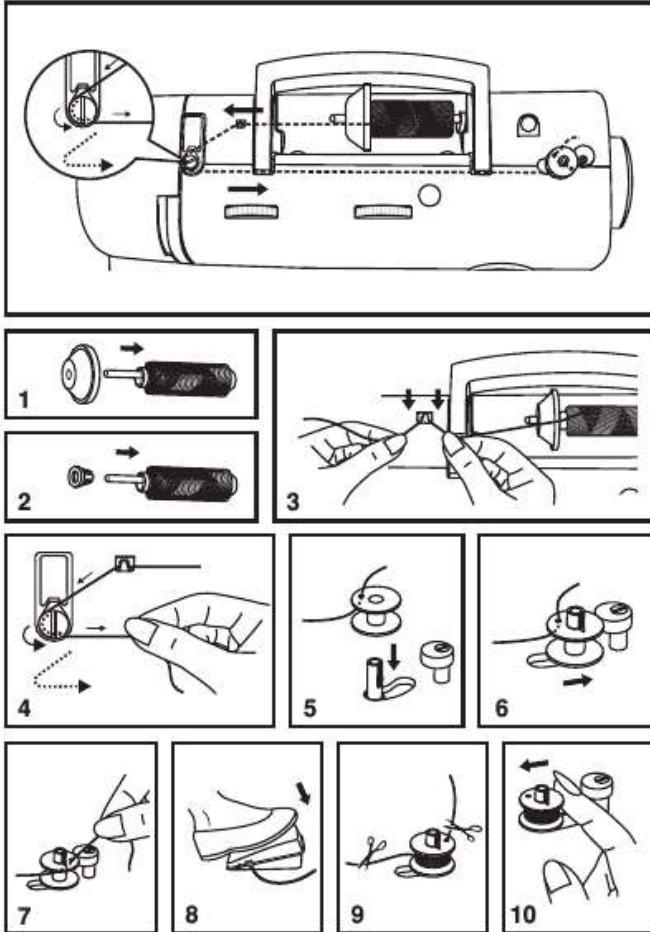


Works of obedient response to God's commands

Hebrews 11:8-12

¹² And so a whole nation came from this one man who was as good as dead—a nation with so many people that, like the stars in the sky and the sand on the seashore, there is no way to count them.





ATTENTION:

By faith Abraham obeyed...

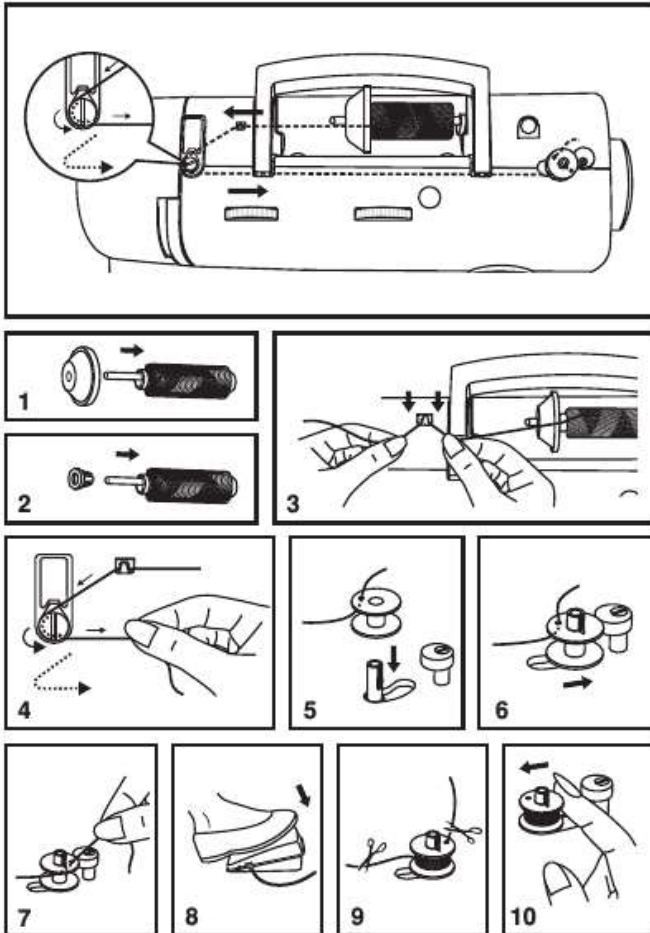
By faith he stayed...

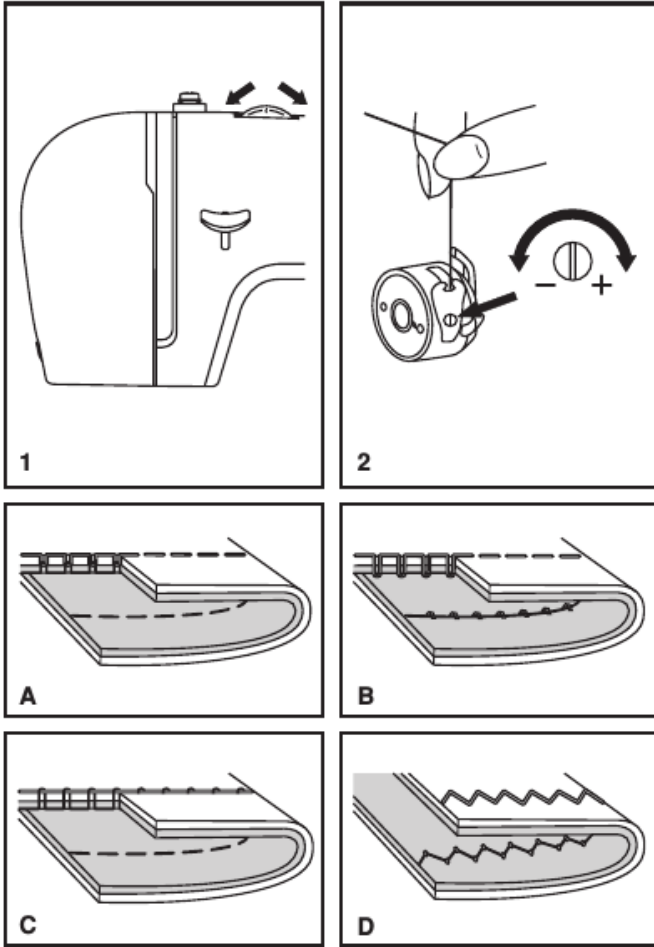
By faith he received power

Works of obedient response to God's commands

James 2:20

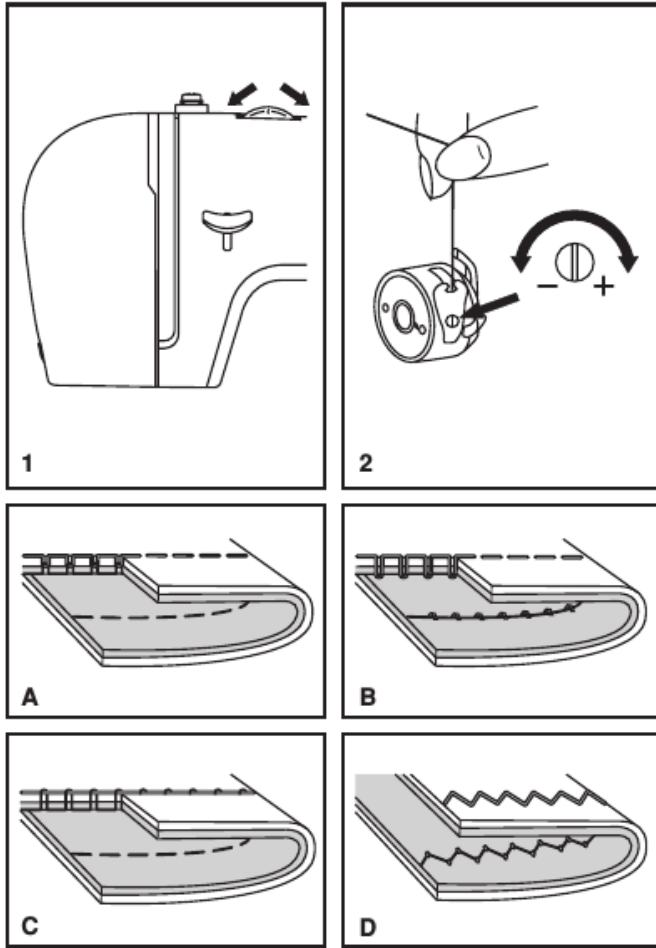
How foolish! Can't you see that faith without good deeds is useless?





2 Corinthians 5:17

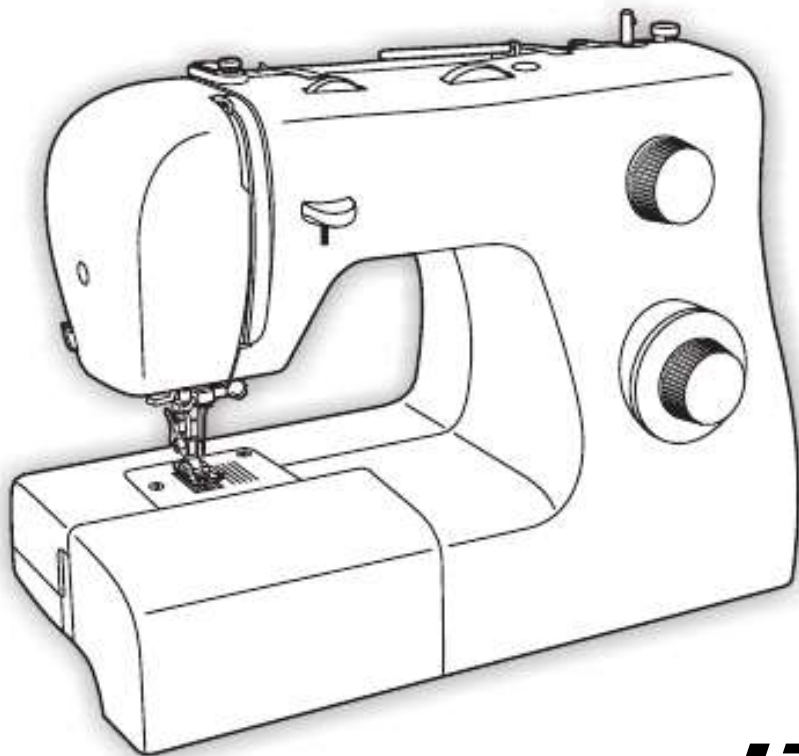
This means that anyone who belongs to Christ has become a new person. The old life is gone; a new life has begun!



1 John 3:17-18

If someone has enough money to live well and sees a brother or sister in need but shows no compassion—how can God’s love be in that person?

18 Dear children, let’s not merely say that we love each other; let us show the truth by our actions. 19 Our actions will show that we belong to the truth, so we will be confident when we stand before God.



Life Instruction Manual

2263 ***Manual de Instrucciones***

Manuel d'Instruction