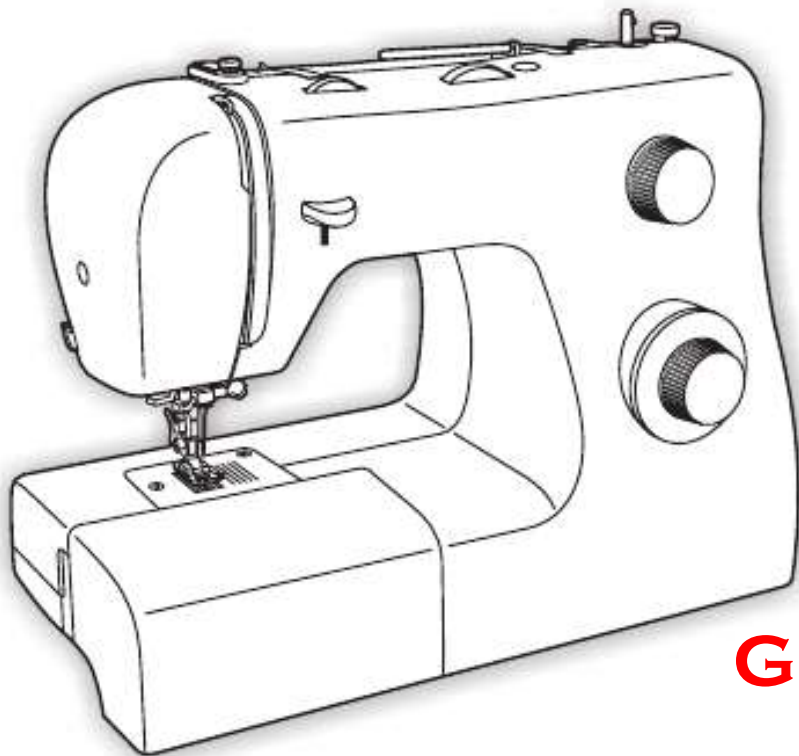


**THE BOOK OF JAMES**  
***Life Instruction Manual***

**2263** ***Manual de Instrucciones***

***Manuel d'Instruction***



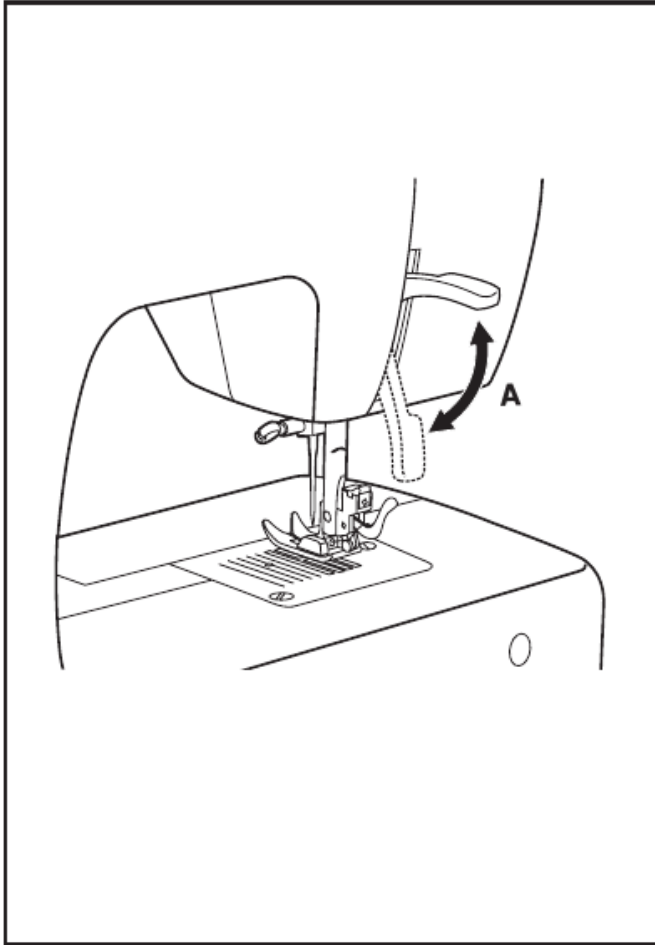
**GROWING IN MATURITY**

***James 1:19-20***

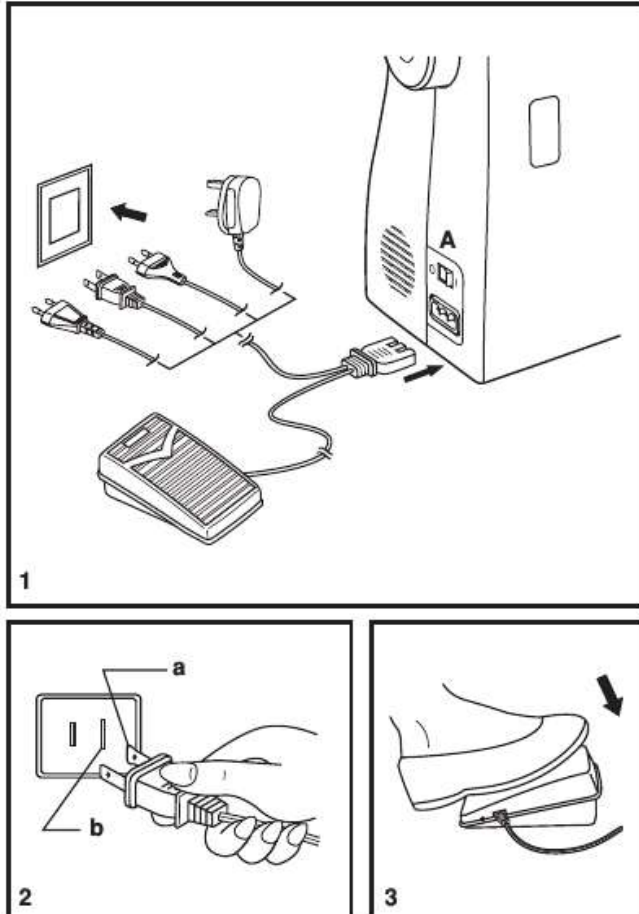
**2263** ***Manual de Instrucciones***

***Manuel d'Instruction***

## James 1:19-20

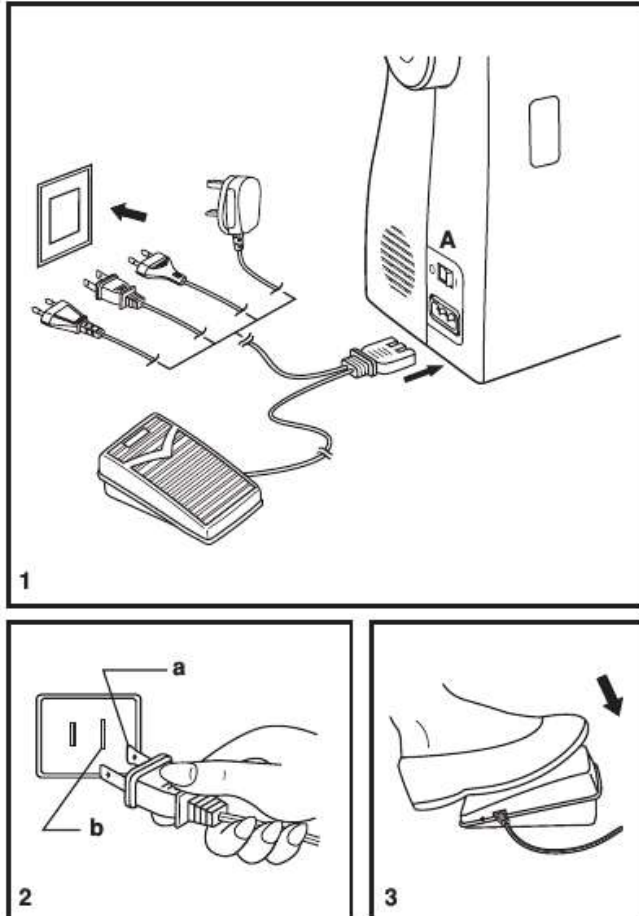


<sup>19</sup> Understand this, my dear brothers and sisters: You must all be quick to listen, slow to speak, and slow to get angry. <sup>20</sup> Human anger does not produce the righteousness God desires.

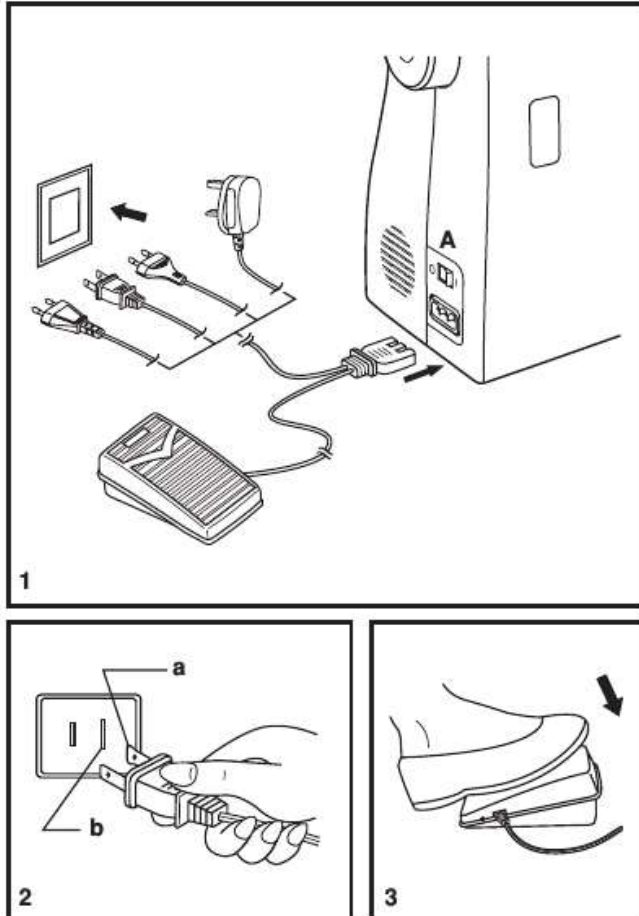


## *James 1:19*

Understand this, my dear brothers and sisters: You must all be quick to listen

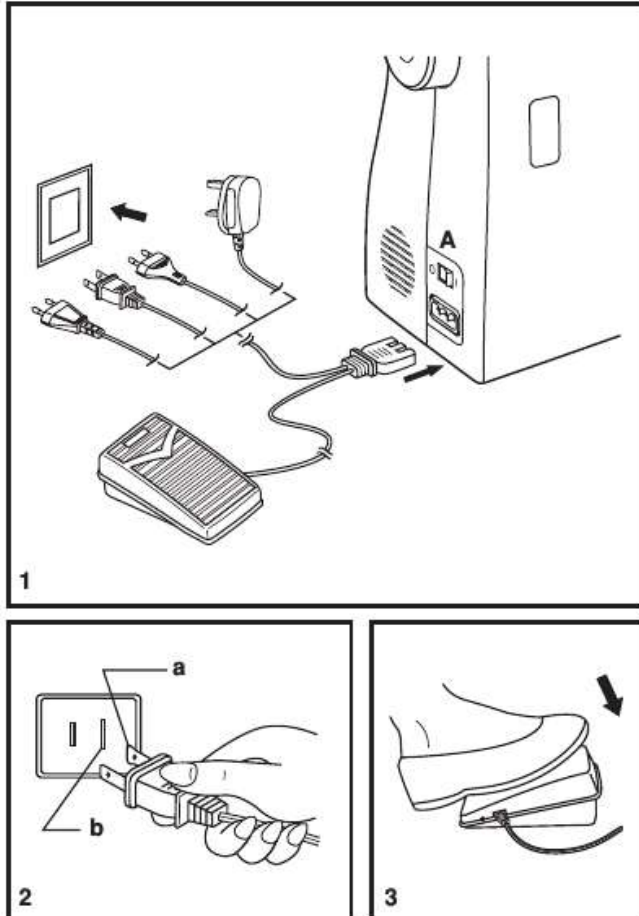


***ATTENTION:***  
***It's possible to have good hearing physically, but to be very hard of hearing spiritually.***

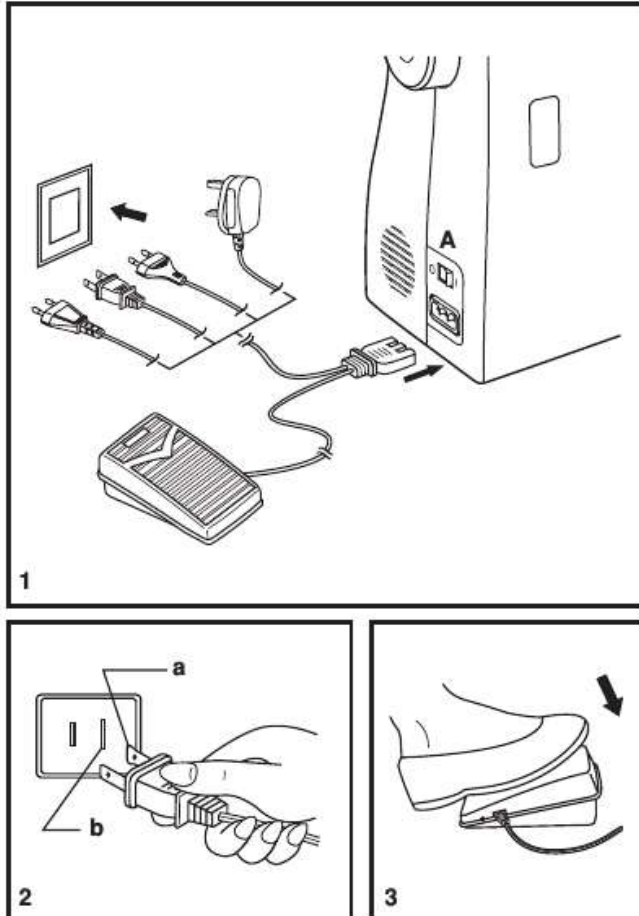


## ***2 Timothy 3:16-17***

<sup>16</sup> All Scripture is inspired by God and is useful to teach us what is true and to make us realize what is wrong in our lives. It corrects us when we are wrong and teaches us to do what is right. <sup>17</sup> God uses it to prepare and equip his people to do every good work.

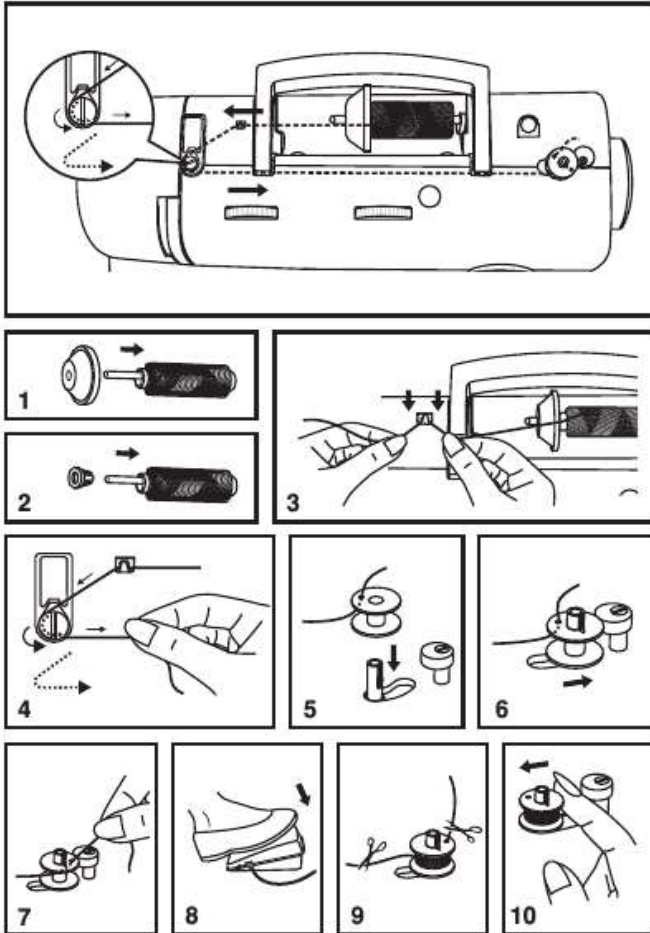


“You read your Bible regularly, of course; but do try and understand it, and still more to feel it. Read more parts than one at a time. For example, if you are reading Genesis, read a Psalm also; or if you are reading Matthew, read a small bit of an Epistle also. Turn the Bible into prayer. Thus, if you were reading the First Psalm, spread the Bible on the chair before you, and kneel and pray, ‘O Lord, give me the blessedness of the man’; ‘let me not stand in the counsel of the ungodly.’ This is the best way of knowing the meaning of the Bible, and of learning to pray.”



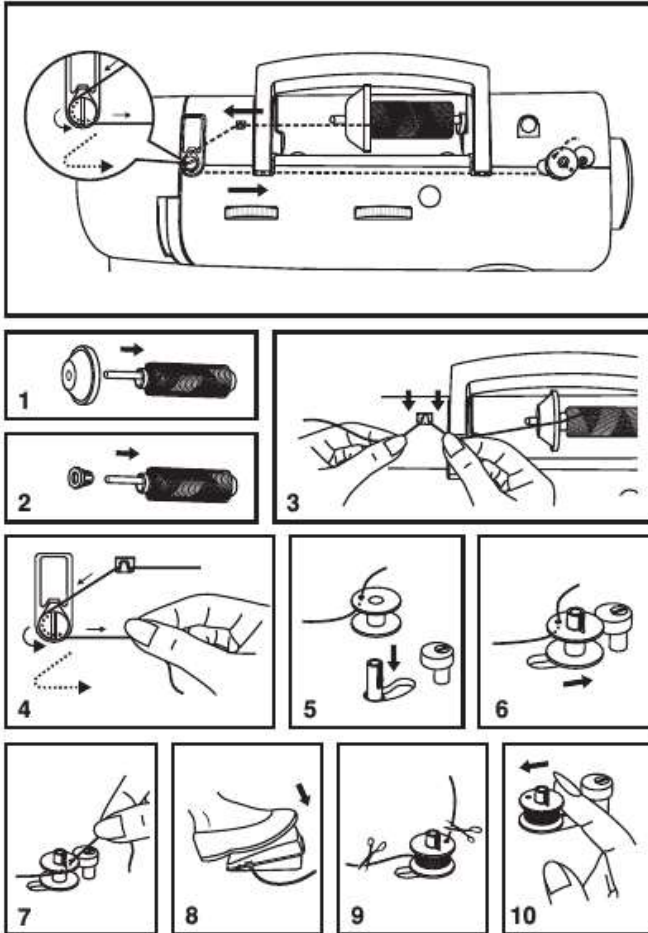
***And when they say, ‘Yes, Lord, Yes!’ they are telling God in advance that they will do whatever he tells them to do today even before he says it.”***





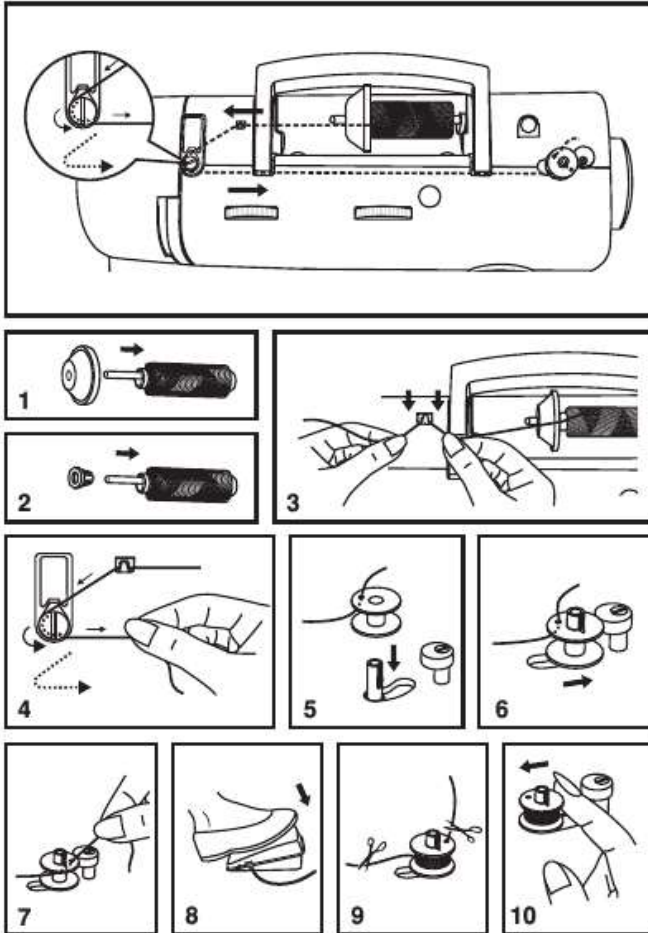
## *James 1:19*

You must all be quick to listen, slow to speak, and slow to get angry.



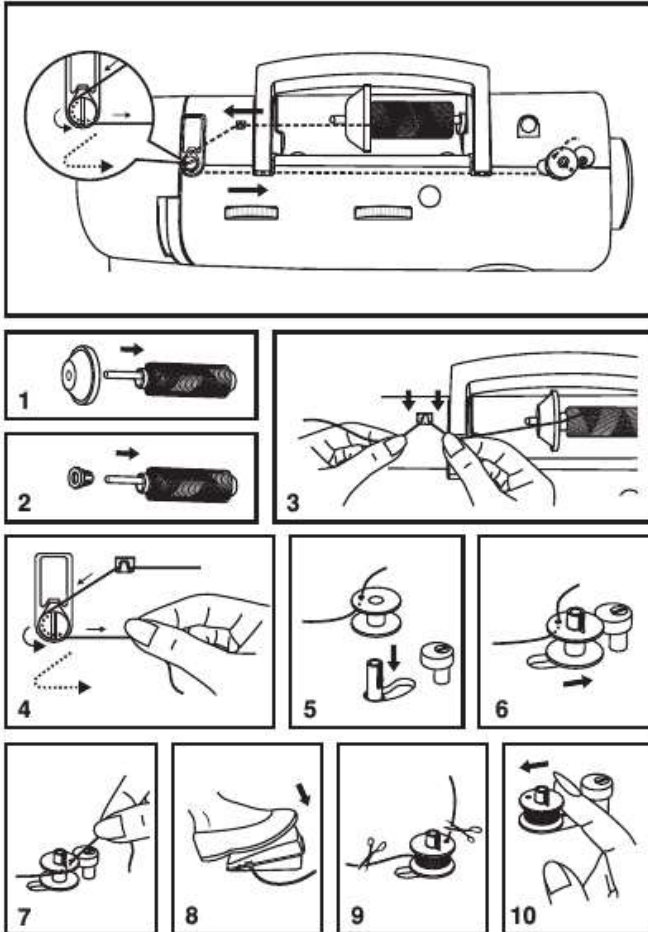
## *Proverbs 10:19*

Too much talk leads to sin.  
Be sensible and keep your  
mouth shut.



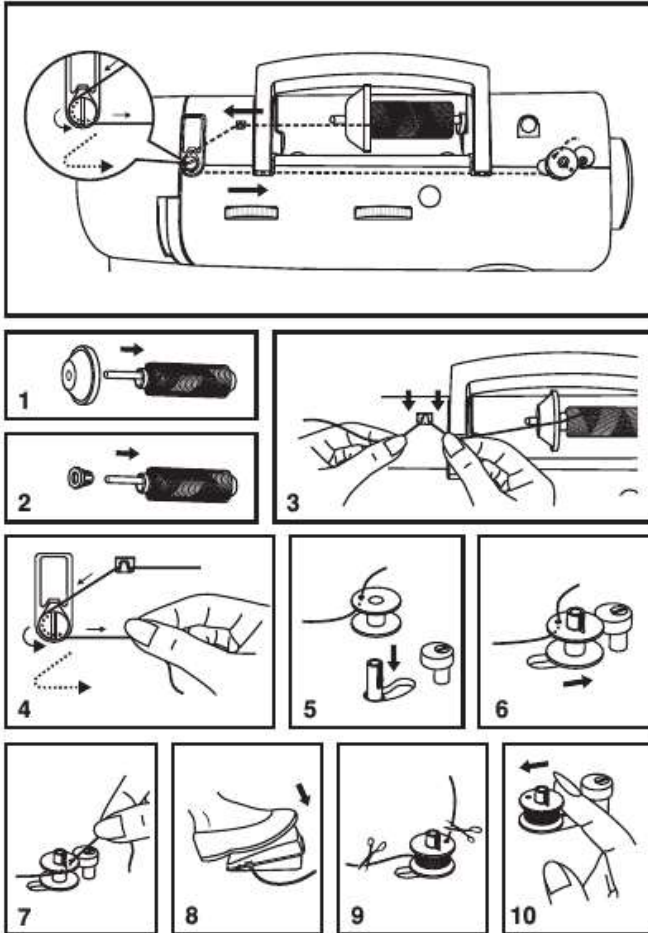
## ***Proverbs 17:27-28***

A truly wise person uses few words; a person with understanding is even-tempered. <sup>28</sup> Even fools are thought wise when they keep silent; with their mouths shut, they seem intelligent.



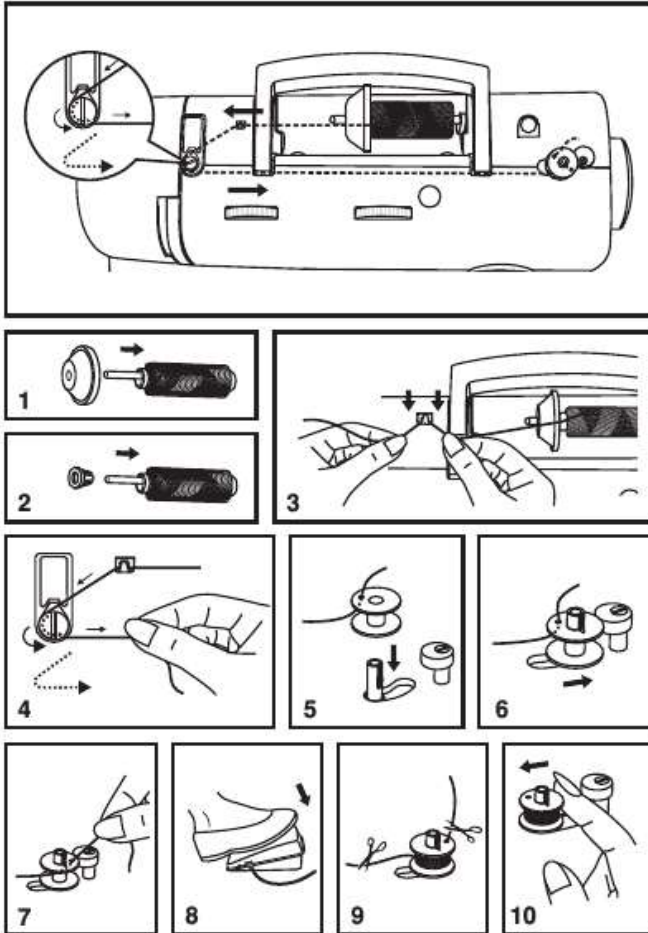
## *Proverbs 29:11*

Fools vent their anger, but  
the wise quietly hold it back.



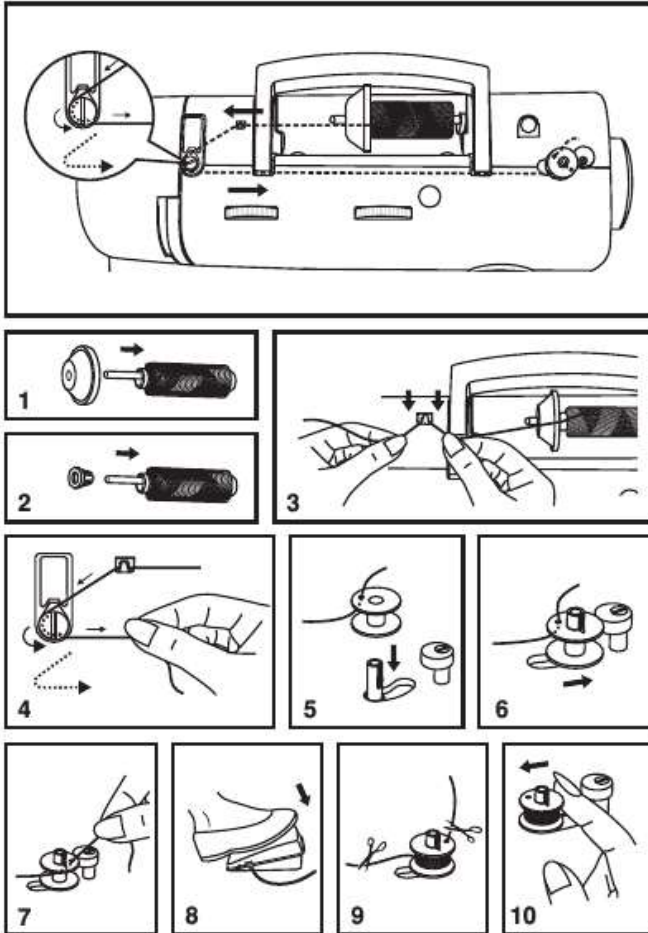
## ***ATTENTION:***

***“Blessed is the man,  
who having nothing to  
say, abstains from  
giving clear evidence of  
the fact.”***

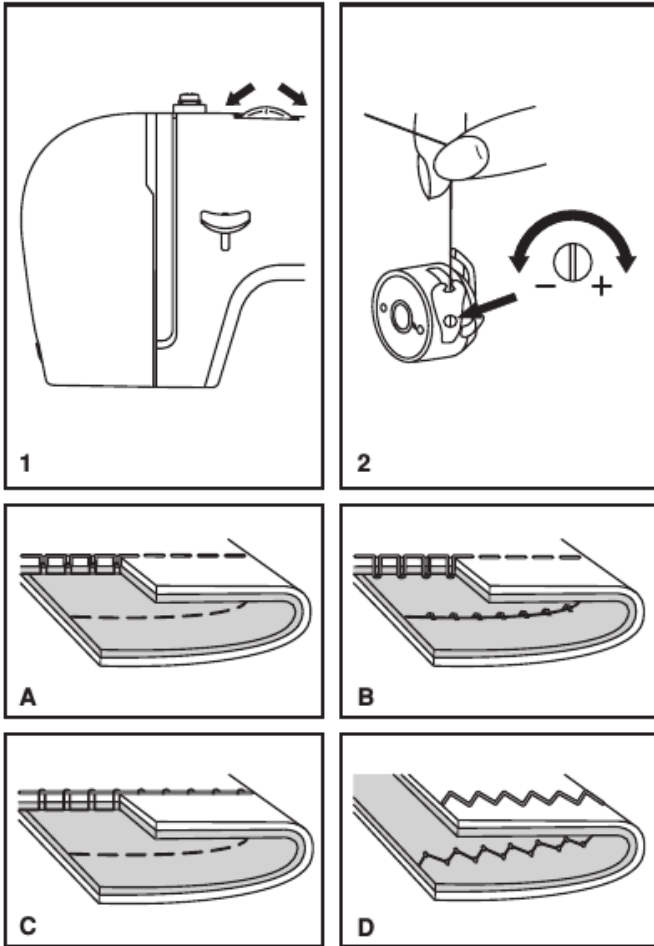


### *John 13:8*

“No,” Peter protested, “you will never ever wash my feet!” Jesus replied, “Unless I wash you, you won’t belong to me.”

**ATTENTION:**

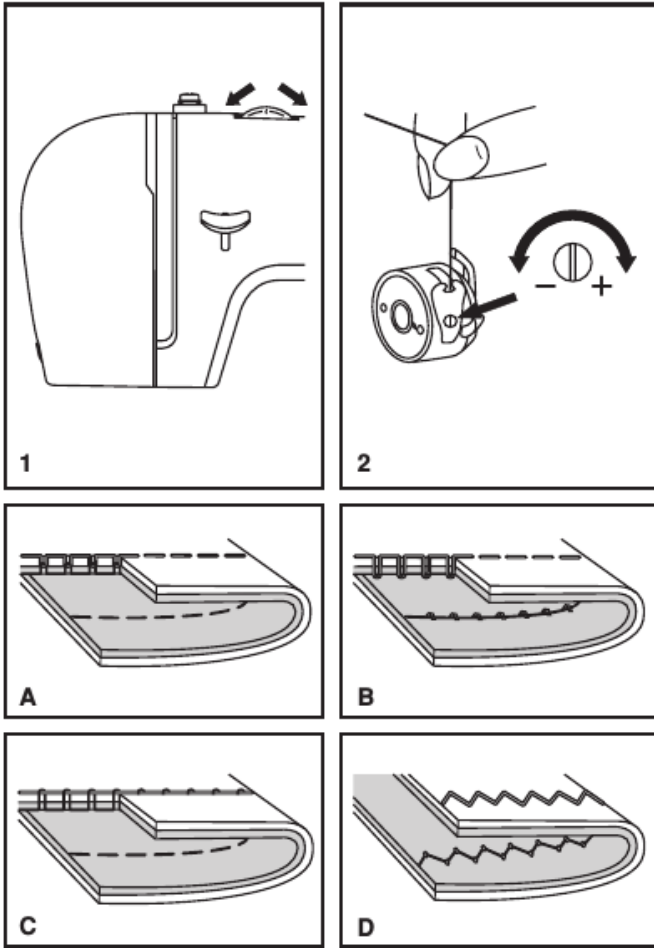
*“Because I must teach you two sciences. First I must teach you the science of holding your tongue, and then I can teach you the science of the wise use of it.”*



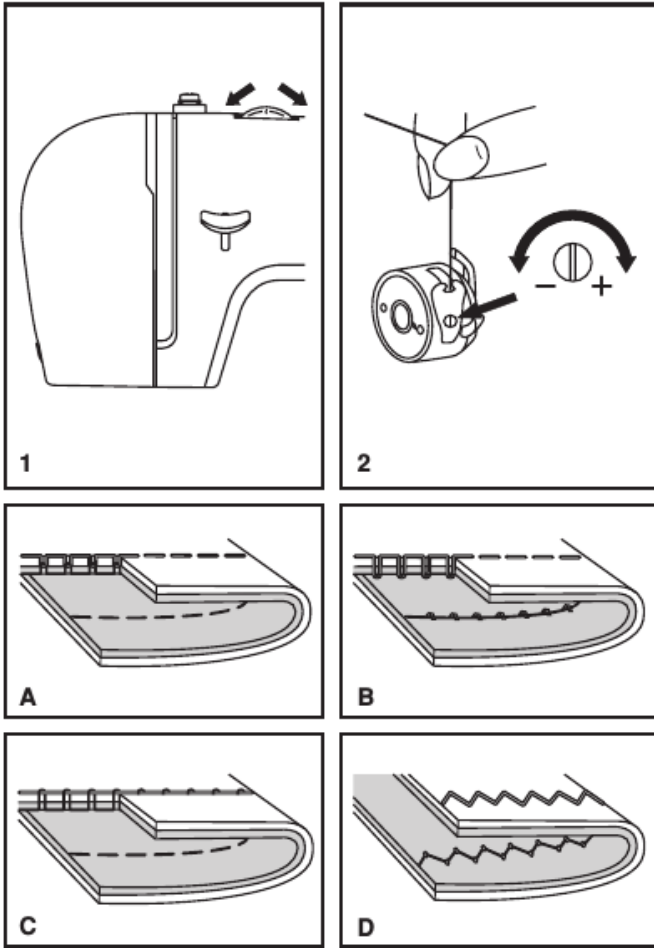
### ***James 1:19-20***

Understand this, my dear brothers and sisters: You must all be quick to listen, slow to speak, and slow to get angry. <sup>20</sup> Human anger does not produce the righteousness God desires.



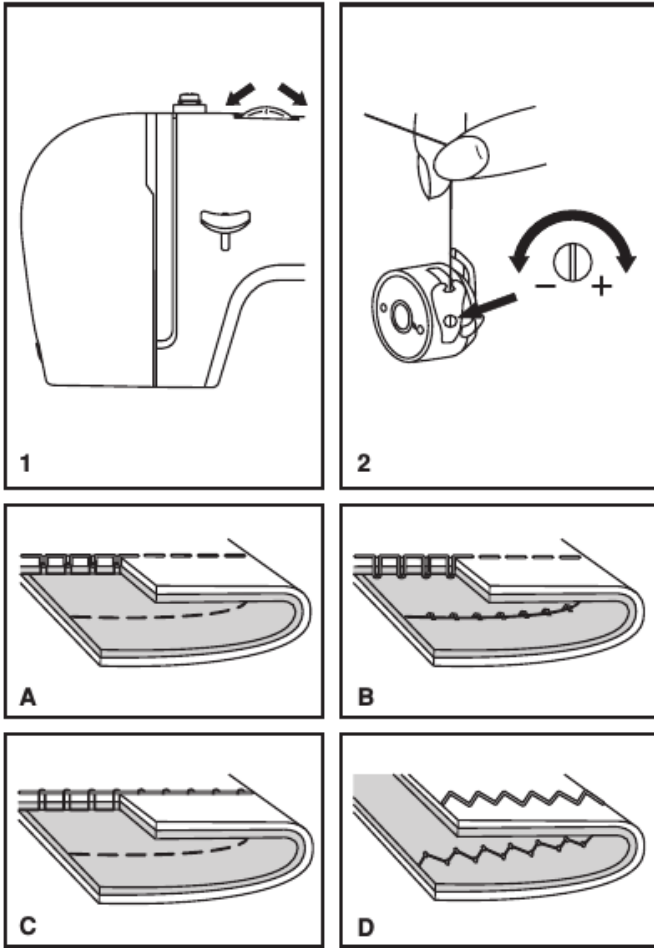
**ATTENTION:**

***“We praise a man who is angry over the right grounds, against the right person, in the right manner, at the right moment and for the right length of time.”***



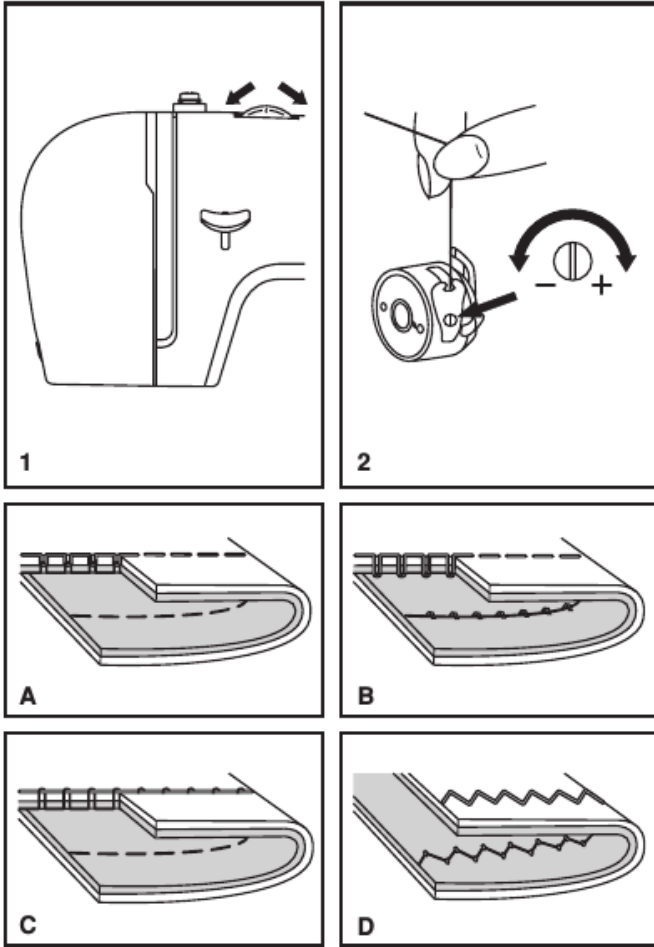
### *James 1:20*

Human anger does not produce the righteousness God desires.



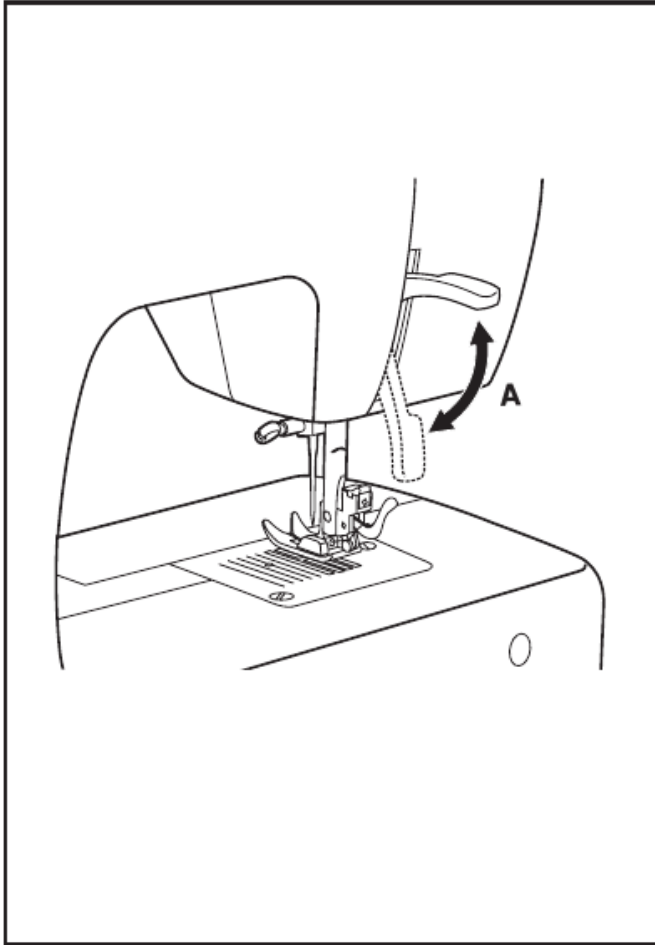
### ***Ecclesiastes 7:9***

Control your temper, for  
anger labels you a fool.

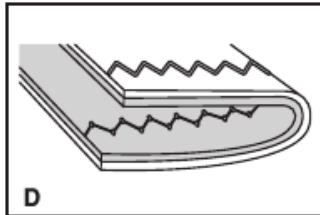
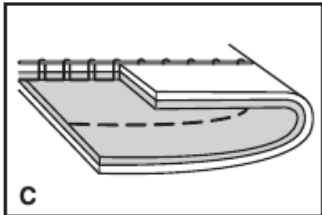
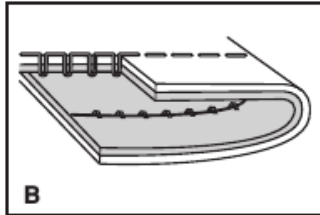
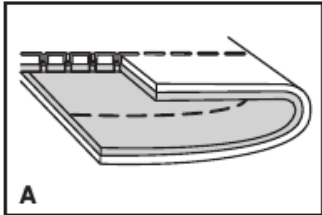
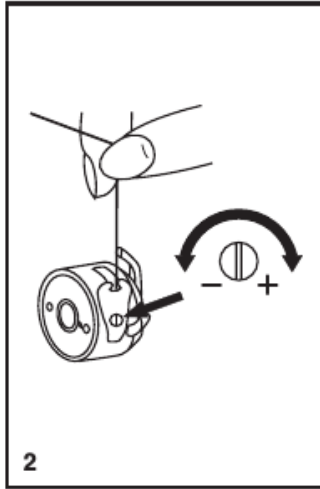
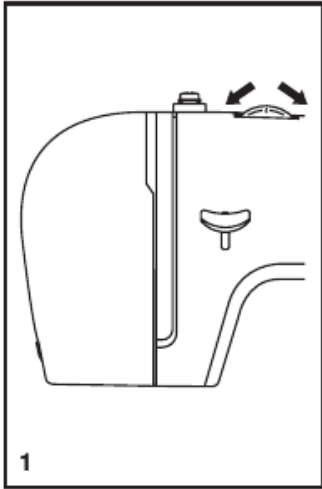


***ATTENTION:***  
***It's in an issue like***  
***anger where true faith***  
***will make itself known,***  
***or will be shown to be***  
***missing.***

## James 1:19-20



<sup>19</sup> Understand this, my dear brothers and sisters: You must all be quick to listen, slow to speak, and slow to get angry. <sup>20</sup> Human anger does not produce the righteousness God desires.



***Ask yourself. Are you:***

***QUICK TO LISTEN***

***SLOW TO SPEAK***

***SLOW TO ANGER***