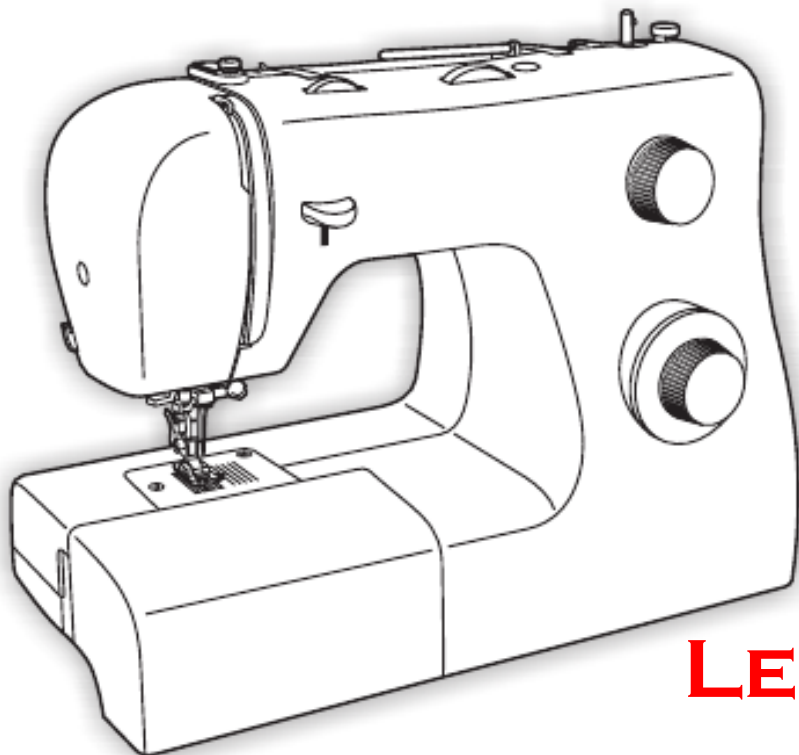


THE BOOK OF JAMES
Life Instruction Manual

2263 ***Manual de Instrucciones***

Manuel d'Instruction



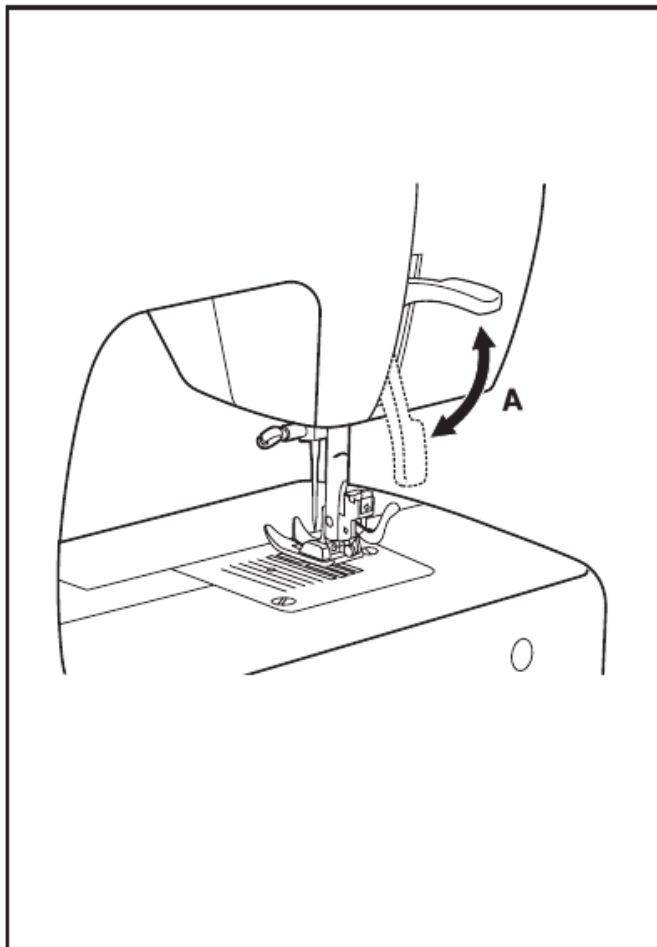
LEMONS TO LEMONADE

James 1:2-8

2263 *Manual de Instrucciones*

Manuel d'Instruction

James 1:2-8



²Dear brothers and sisters, when troubles of any kind come your way, consider it an opportunity for great joy.

³ For you know that when your faith is tested, your endurance has a chance to grow.

⁴ So let it grow, for when your endurance is fully developed, you will be perfect and complete, needing nothing.

⁵ If you need wisdom, ask our generous God, and he will give it to you. He will not rebuke you for asking.

⁶ But when you ask him, be sure that your faith is in God alone. Do not waver, for a person with divided loyalty is as unsettled as a wave of the sea that is blown and tossed by the wind.

⁷ Such people should not expect to receive anything from the Lord.

⁸ Their loyalty is divided between God and the world, and they are unstable in everything they do.



When Life Gives You Lemons

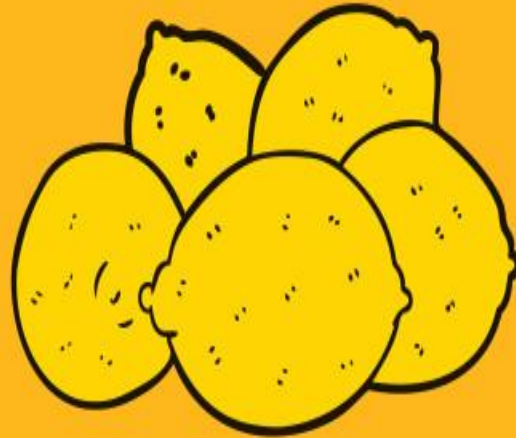
Make Lemonade

**WHEN LIFE GIVES YOU LEMONS,
ASK IT FOR SUGAR AND WATER TOO,
OTHERWISE YOUR FINAL PRODUCT
WOULD BE SOME ACIDIC LEMON JUICE!**

- Priyavrat Gupta -

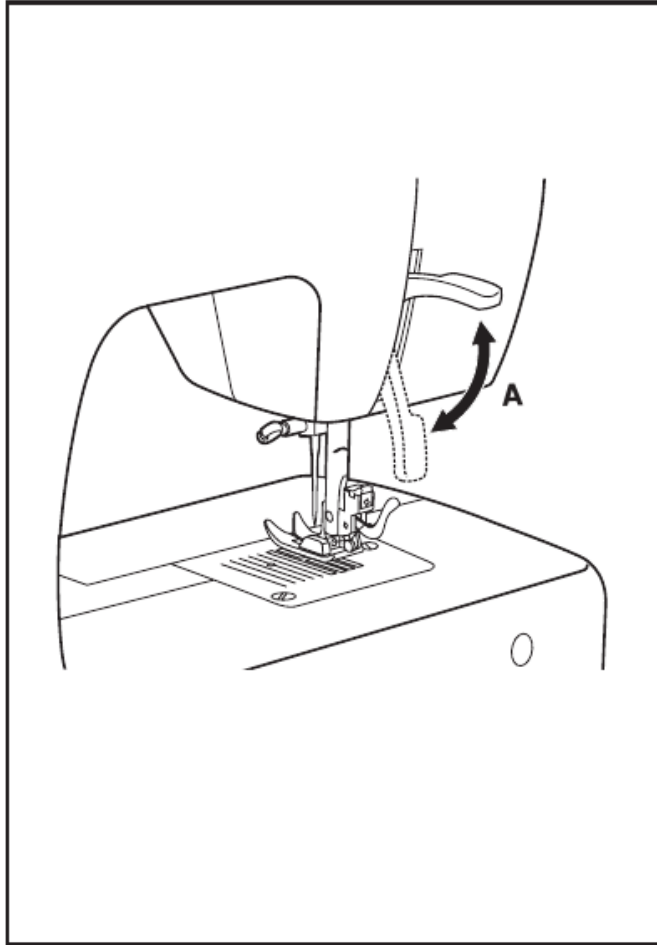


WHEN LIFE HANDS YOU LEMONS

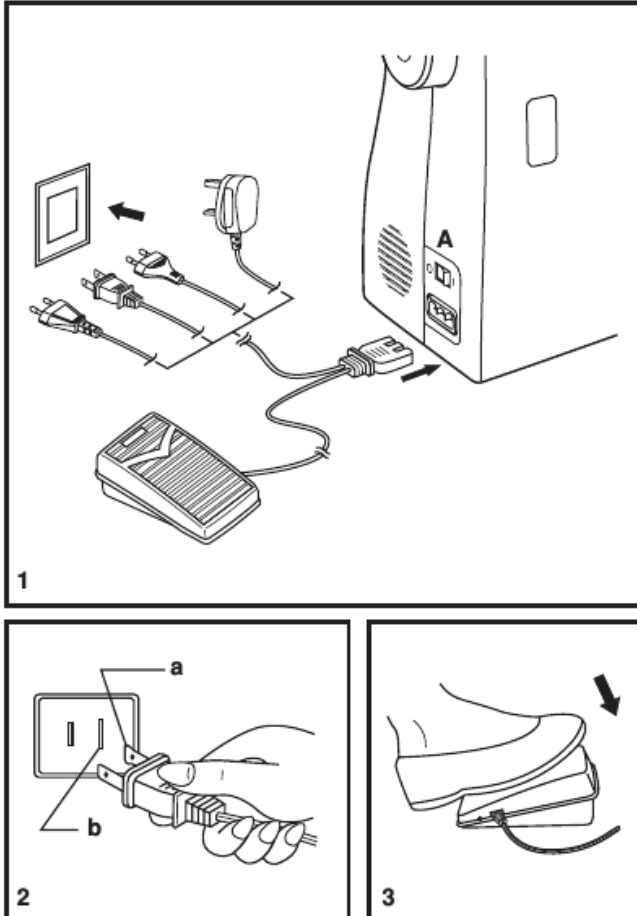


THROW THEM AT PEOPLE YOU

DON'T LIKE!

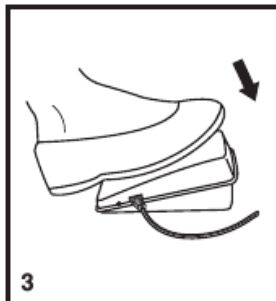
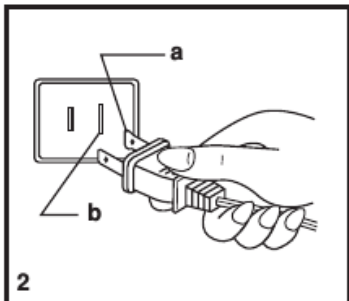
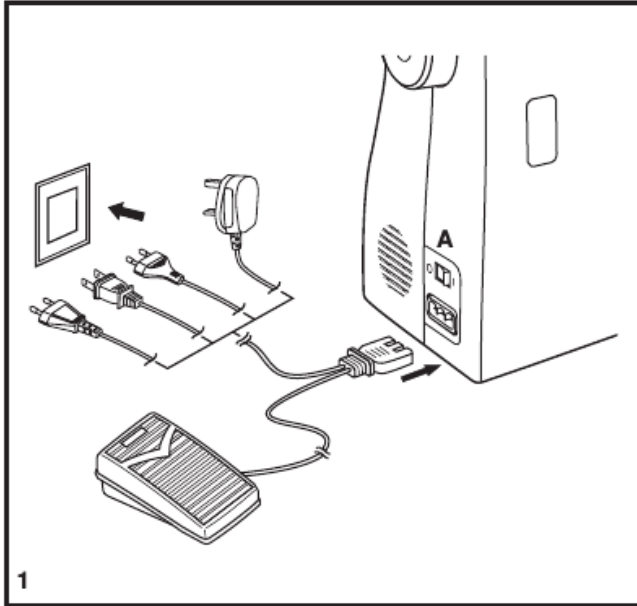


**Whether we are
dealing with trials on
the outside or
temptations on the
inside, through faith
we CAN experience
victory!**

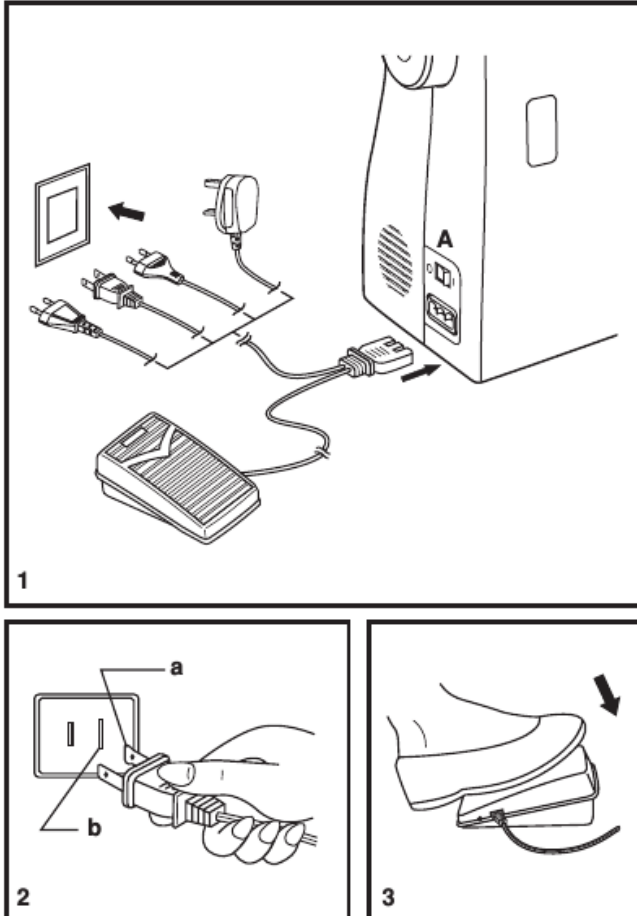


James 1:2

Dear brothers and sisters,
when troubles of any kind
come your way, consider it
an opportunity for great joy.



ATTENTION:
Notice that James assumes
that we will experience trials...



John 16:33

I have told you all this so that you may have peace in me. Here on earth you will have many trials and sorrows. But take heart, because I have overcome the world.”

Acts 14:22

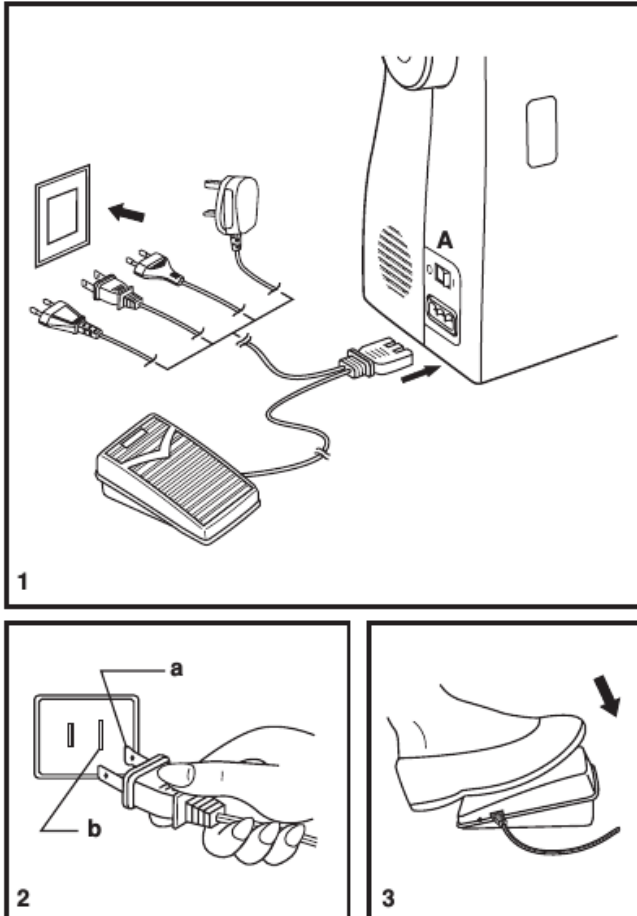
...where they strengthened the believers. They encouraged them to continue in the faith, reminding them that we must suffer many hardships to enter the Kingdom of God.

1 Peter 4:12-13

Dear friends, don't be surprised at the fiery trials you are going through, as if something strange were happening to you. 13 Instead, be very glad—for these trials make you partners with Christ in his suffering, so that you will have the wonderful joy of seeing his glory when it is revealed to all the world.

2 Timothy 3:12

Yes, and everyone who wants to live a godly life in Christ Jesus will suffer persecution.

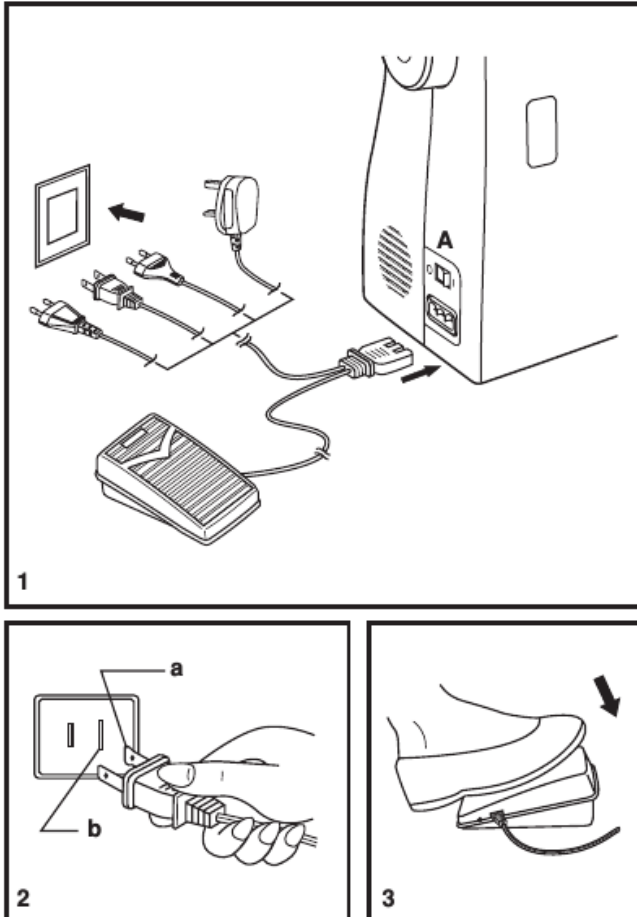


James 1:2

Dear brothers and sisters, when troubles of any kind come your way, consider it an opportunity for great joy.

Acts 5:41

The apostles left the high council rejoicing that God had counted them worthy to suffer disgrace for the name of Jesus.

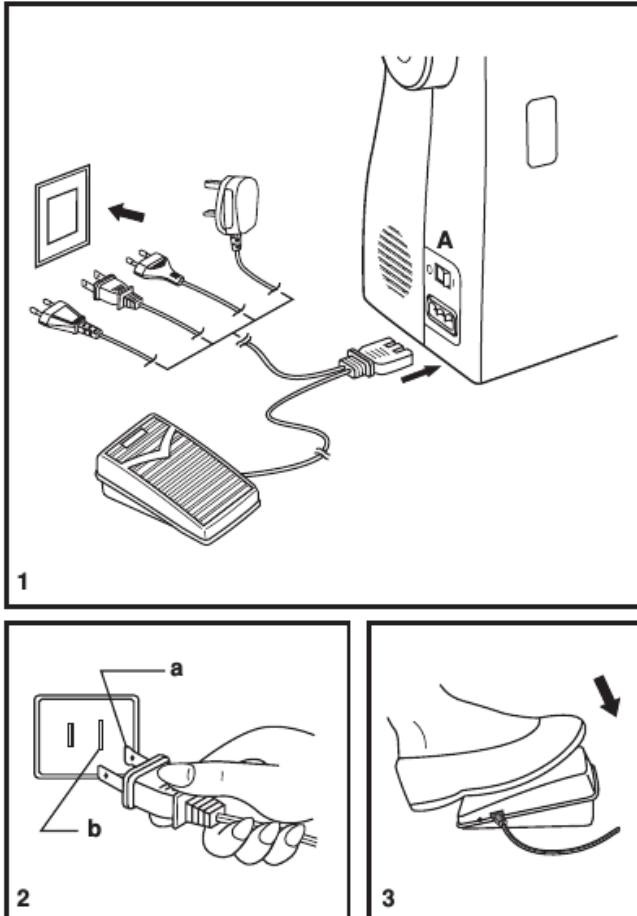


Romans 5:3;

We can rejoice, too, when we run into problems and trials, for we know that they help us develop endurance.

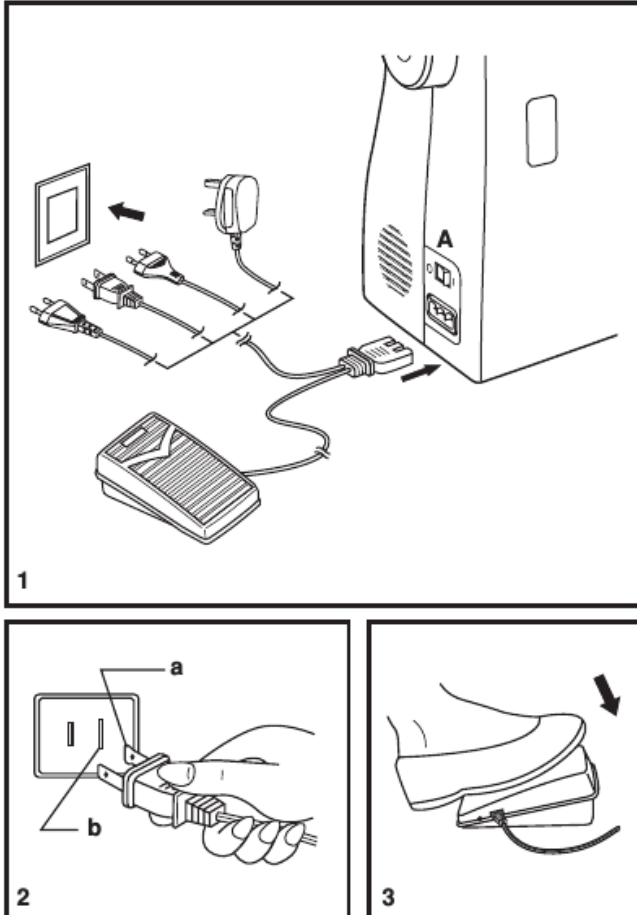
Philippians 2:17-18

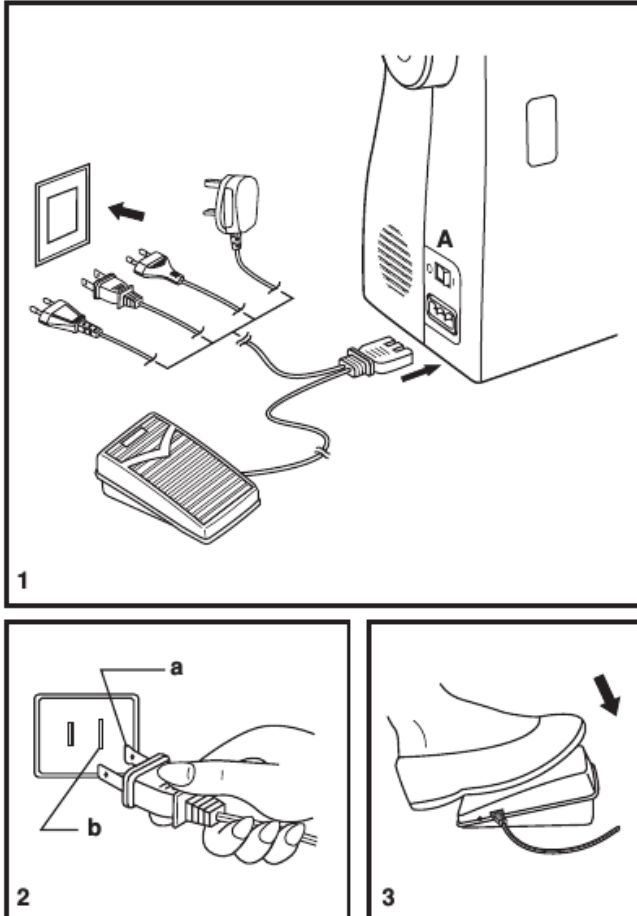
But I will rejoice even if I lose my life, pouring it out like a liquid offering to God, just like your faithful service is an offering to God. And I want all of you to share that joy. 18 Yes, you should rejoice, and I will share your joy.



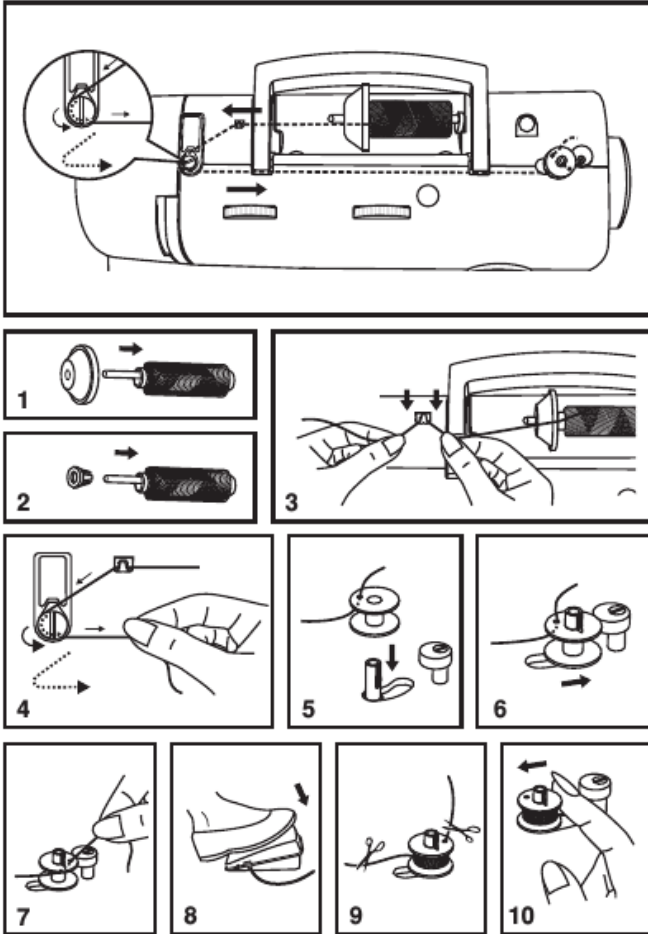
1 Peter 1:6-8;

So be truly glad. There is wonderful joy ahead, even though you must endure many trials for a little while. ⁷ These trials will show that your faith is genuine. It is being tested as fire tests and purifies gold—though your faith is far more precious than mere gold. So when your faith remains strong through many trials, it will bring you much praise and glory and honor on the day when Jesus Christ is revealed to the whole world. ⁸ You love him even though you have never seen him. Though you do not see him now, you trust him; and you rejoice with a glorious, inexpressible joy.



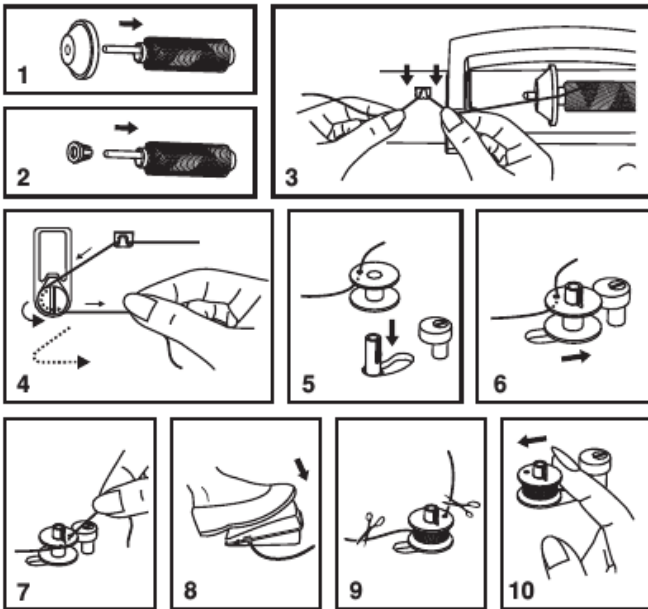
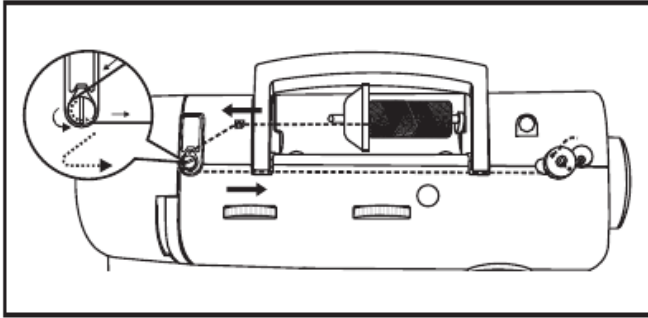
***ATTENTION:***

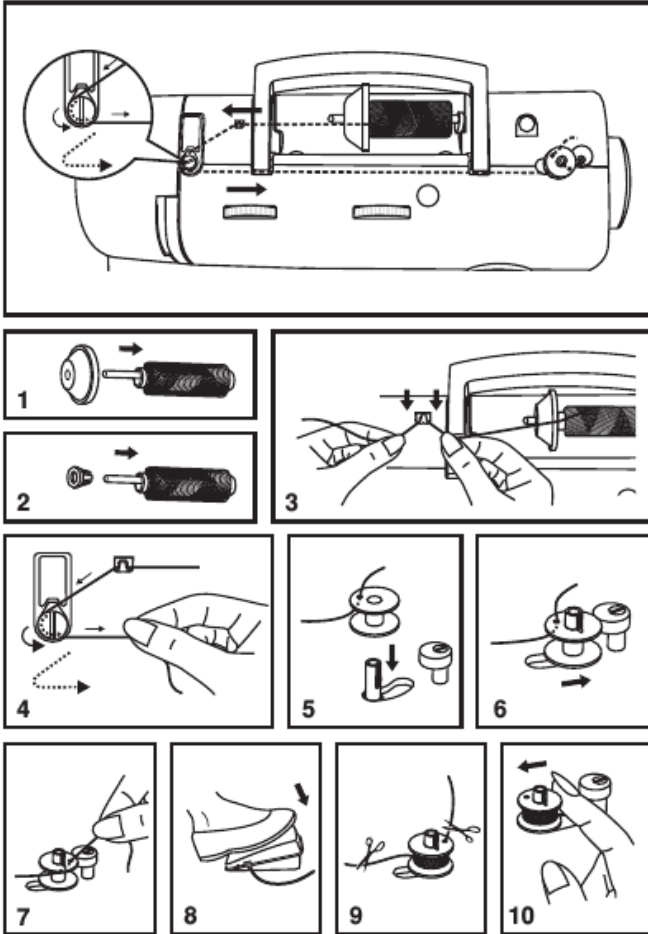
The first step to turning trials into triumph is to begin thanking God and counting our trials as joy.

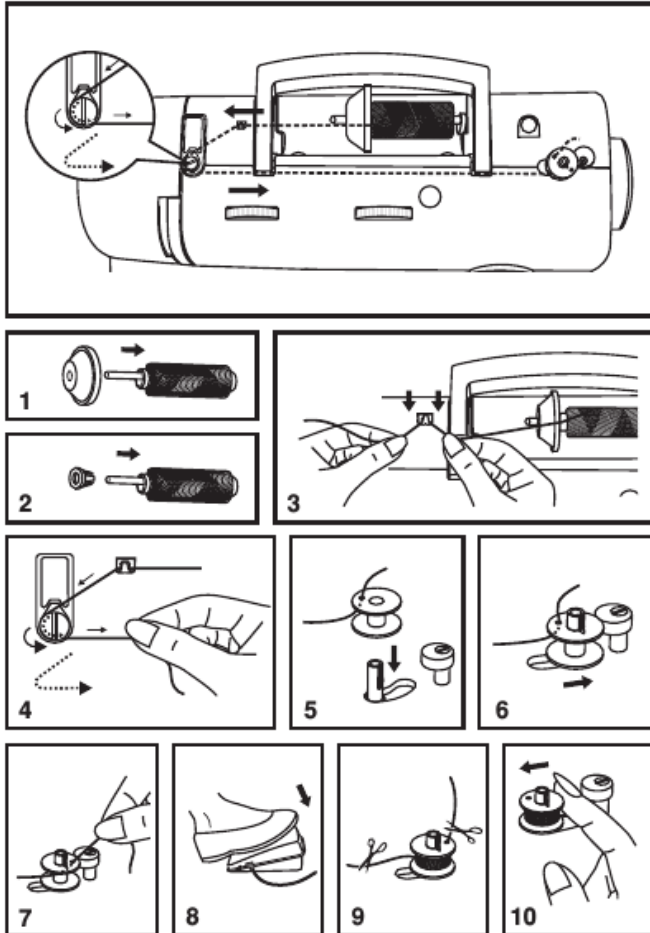


James 1:3

For you know that when your faith is tested, your endurance has a chance to grow.

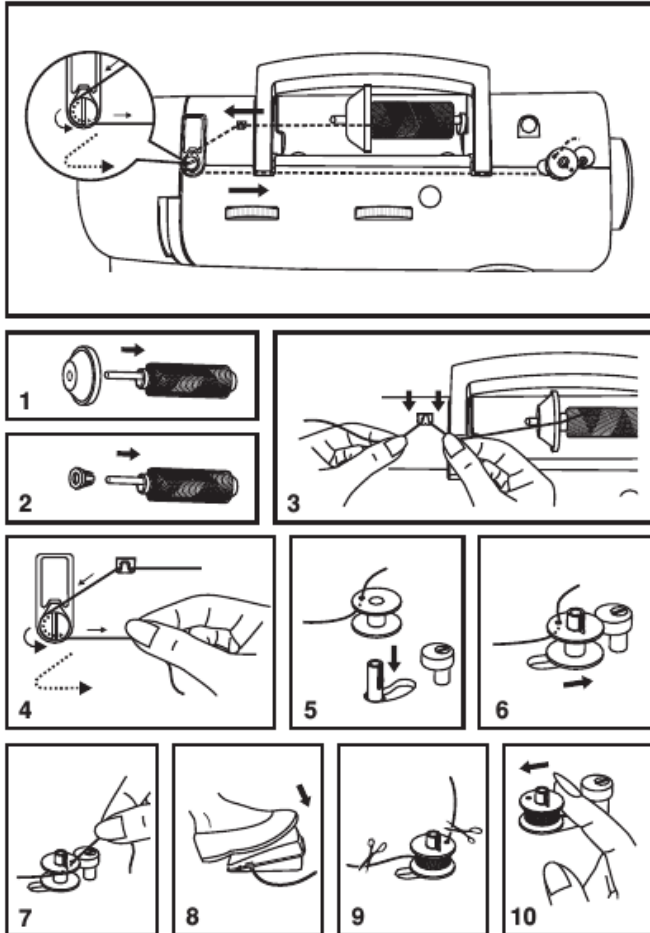






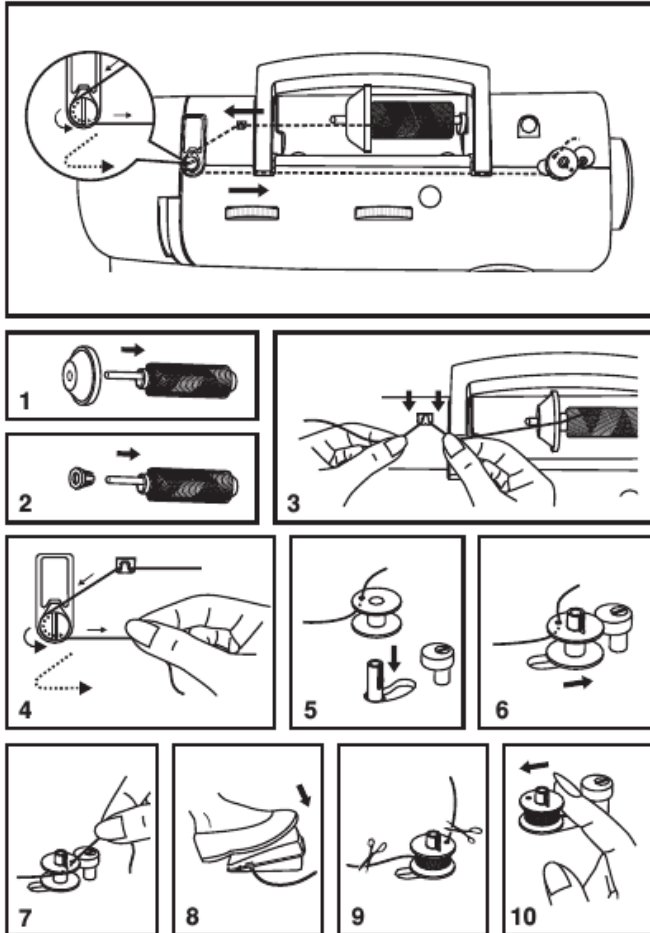
1 Peter 1:7

These trials will show that your faith is genuine. It is being tested as fire tests and purifies gold—though your faith is far more precious than mere gold. So when your faith remains strong through many trials, it will bring you much praise and glory and honor on the day when Jesus Christ is revealed to the whole world.



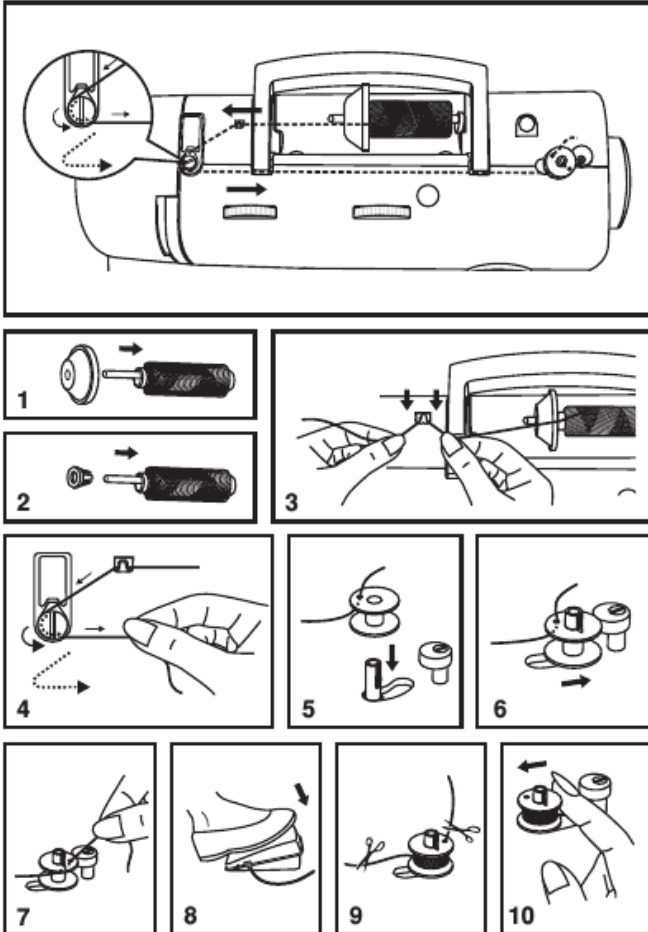
2 Corinthians 4:17

For our present troubles are small and won't last very long. Yet they produce for us a glory that vastly outweighs them and will last forever!
 18 So we don't look at the troubles we can see now; rather, we fix our gaze on things that cannot be seen. For the things we see now will soon be gone, but the things we cannot see will last forever.

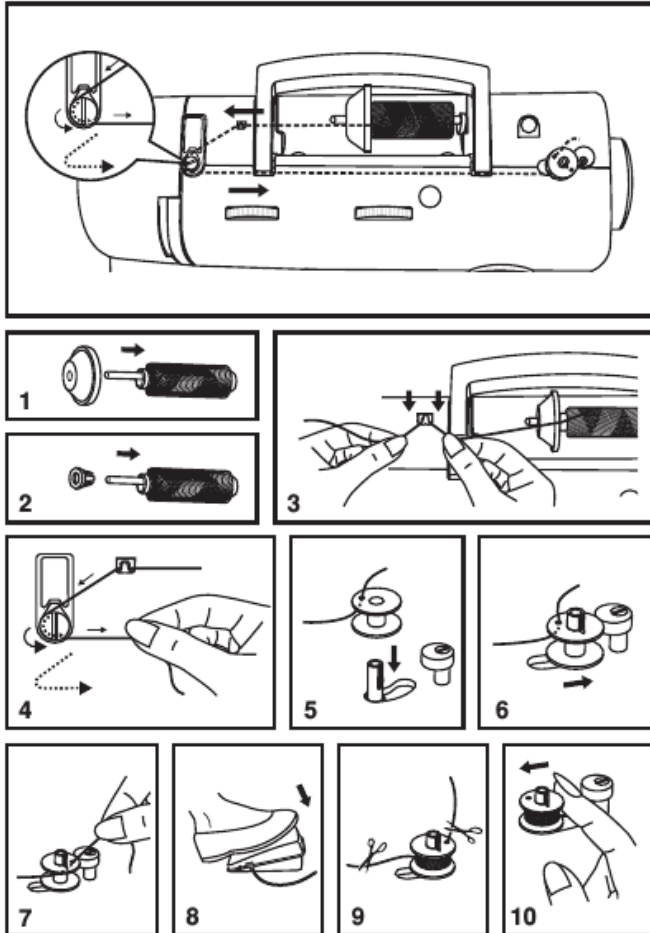


2 Corinthians 4:17 (The Message)

These hard times are small potatoes compared to the coming good times, the lavish celebration prepared for us. ¹⁸ There's far more here than meets the eye. The things we see now are here today, gone tomorrow. But the things we can't see now will last forever.

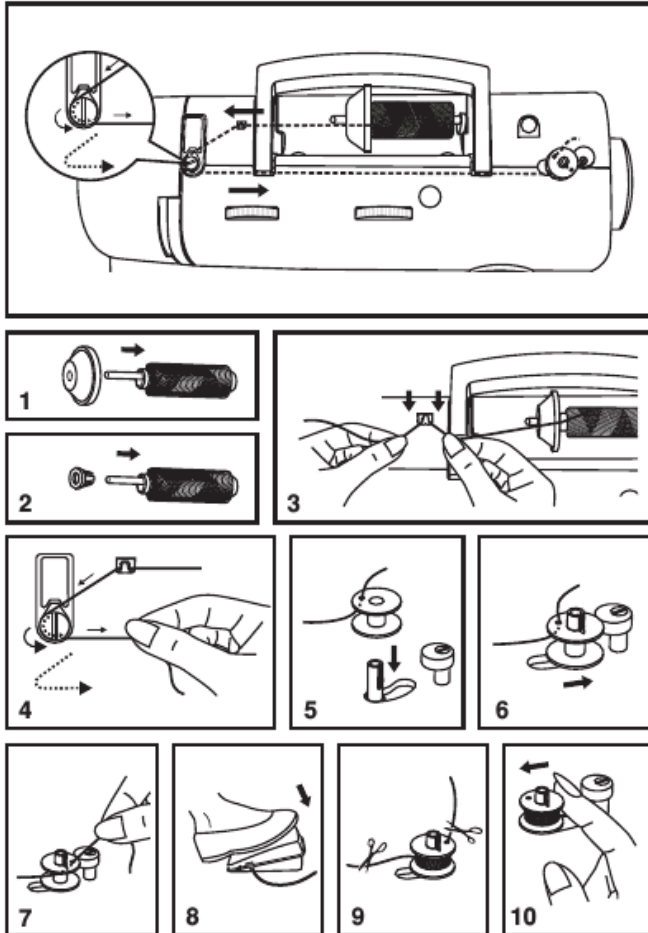


ATTENTION:
When we look at our trials
correctly, they help us
mature.



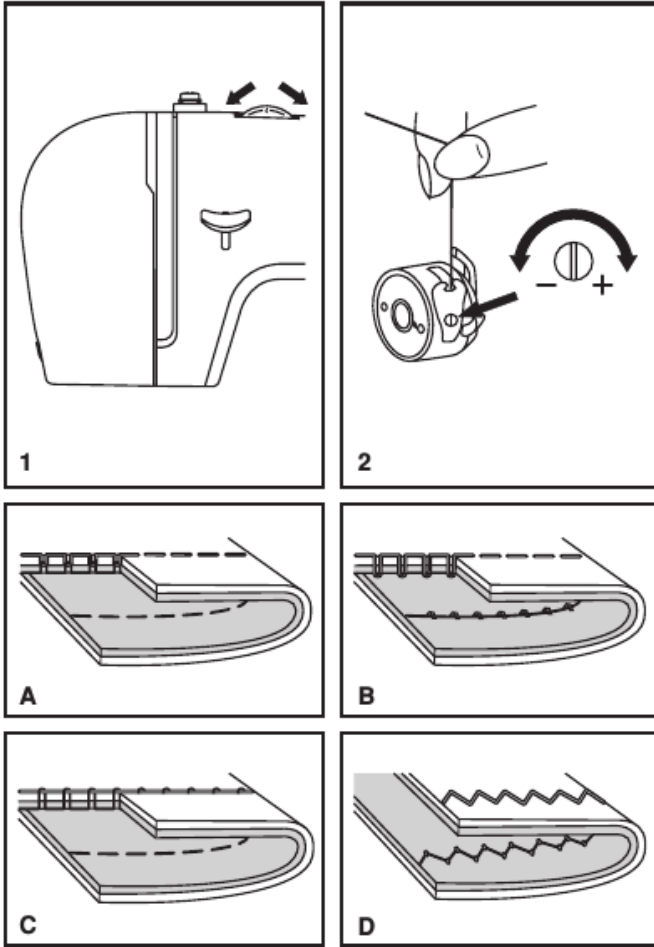
2 Corinthians 4:17 (The Message)

These hard times are small potatoes compared to the coming good times, the lavish celebration prepared for us. ¹⁸ There's far more here than meets the eye. The things we see now are here today, gone tomorrow. But the things we can't see now will last forever.



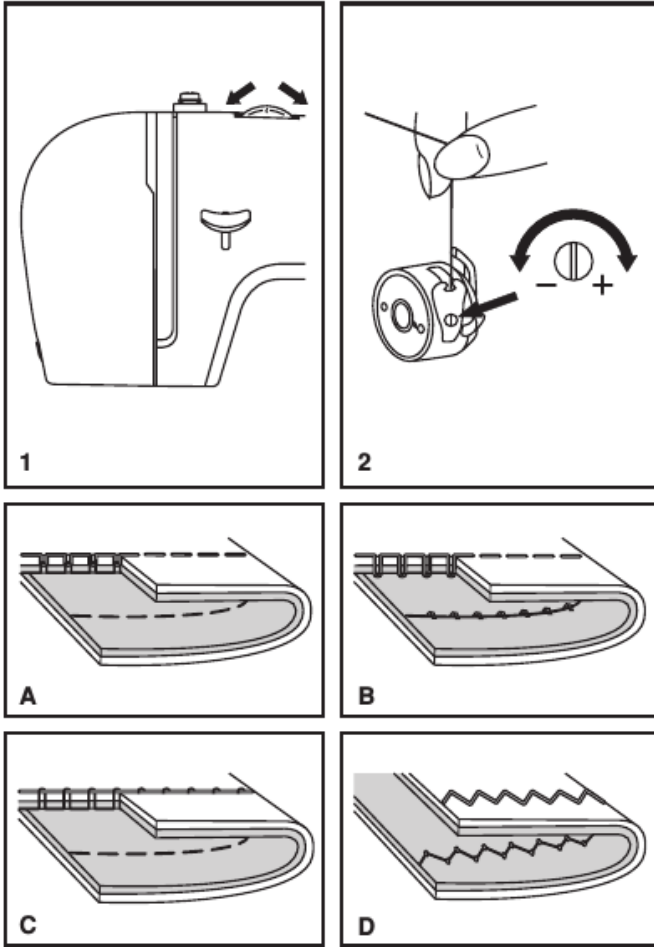
ATTENTION:

Having this understanding about what trials can accomplish enables us to have a joyful attitude toward our trials.



James 1:4

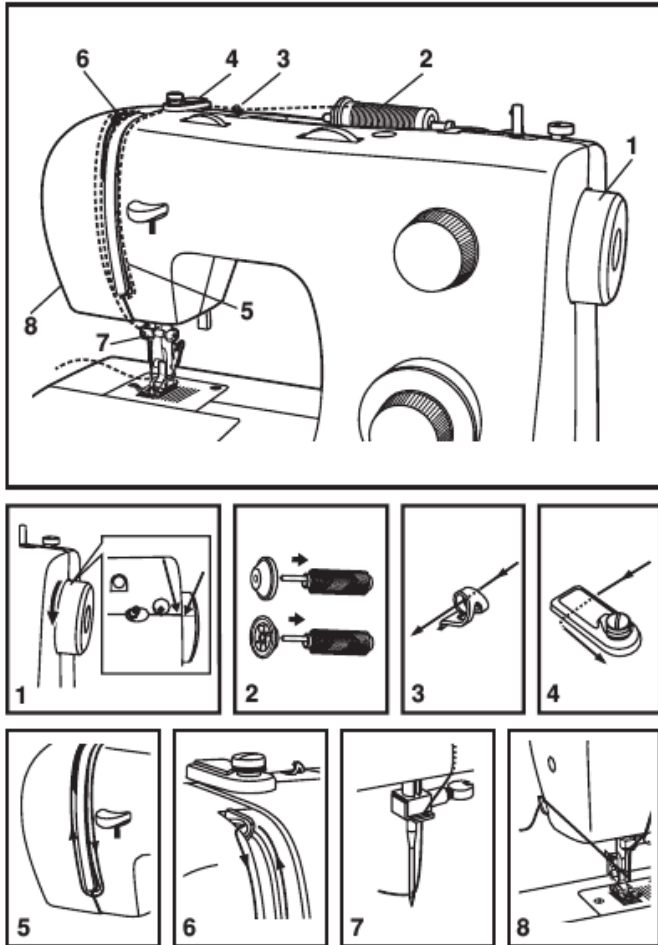
So let it grow, for when your endurance is fully developed, you will be perfect and complete, needing nothing.

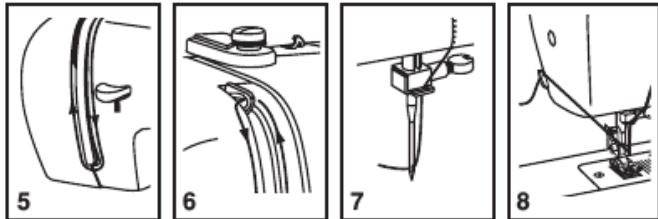
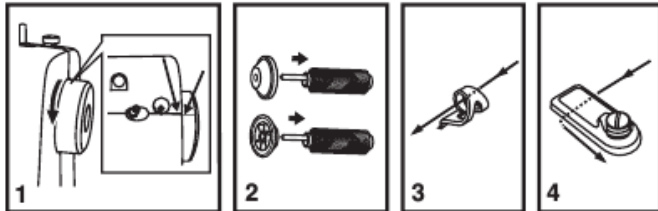
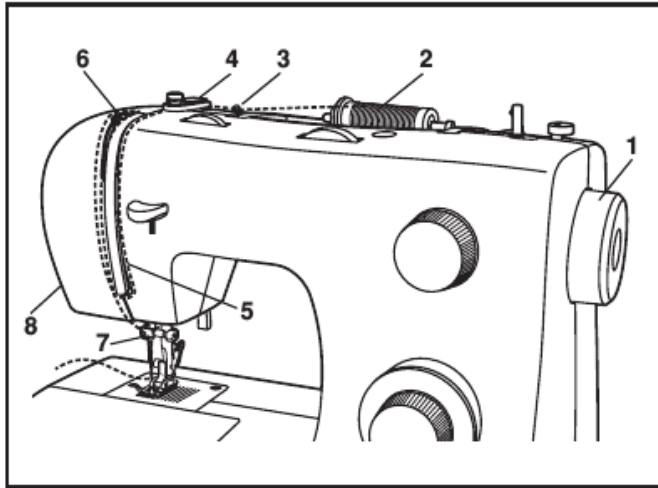


ATTENTION:
*When we endure, we
mature!*

James 1:5-8

If you need wisdom, ask our generous God, and he will give it to you. He will not rebuke you for asking. ⁶ But when you ask him, be sure that your faith is in God alone. Do not waver, for a person with divided loyalty is as unsettled as a wave of the sea that is blown and tossed by the wind. ⁷ Such people should not expect to receive anything from the Lord. ⁸ Their loyalty is divided between God and the world, and they are unstable in everything they do.





ATTENTION:
Wisdom is knowledge
rightly applied

